

<p>Dantherm S.p.A. Via Gardesana 11, -37010- Pastrengo (VR), Italy</p>	<p>Dantherm S.p.A. Виа Гардесана 11, 37010 Пастренго (Верона), Италия</p>
<p>Dantherm Sp. z o.o. ul. Magazynowa 5A, 62-023 Gądkі, Poland</p>	<p>Dantherm Sp. z o.o. ул. Магазинова, 5А, 62-023 Гадки, Польша</p>
<p>Dantherm LLC ul. Transportnaya - 22 ownership 2, 142802, STUPINO, Moscow region, Russia</p>	<p>ООО «Дантерм» Ул. Транспортная, владение 22/2, 142802, г.Ступино, Московская обл., РФ</p>
<p>Dantherm China LTD Unit 2B, 512 Yunchuan Rd., Shanghai, 201906, China</p>	<p>Dantherm China LTD Юньчуань роад, 512, строение 2В, Шанхай, 201906, Китай</p>
<p>Dantherm SP S.A. C/Calabozos, 6 Polígono Industrial, 28108 Alcobendas (Madrid) Spain</p>	<p>Dantherm SP S.A. Ц/Калабозос, 6 Полигоно Индустириал, 28108 Алкобендас (Мадрит) Испания</p>



MASTEEB[®]
CLIMATE SOLUTIONS
MCS


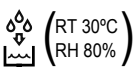






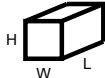



Edition 20 - Rev.3

USER AND MAINTENANCE BOOK	en
LIBRETTO USO E MANUTENZIONE	it
BEDIENUNGS- UND WARTUNGSANLEITUNG	de
VEJLEDNING OM BRUG OG VEDLIGEHOELSE	da
INSTRUKCJA OBSŁUGI I KONSERWACJI	pl
РУКОВОДСТВО ПО ЭКСПЛУАТАЦИИ И ТЕХНИЧЕСКОМУ ОБСЛУЖИВАНИЮ	ru
PŘÍRUČKA PRO POUŽITÍ A ÚDRŽBU	cs

DH 712 P

**ТЕХНИЧЕСКИ ДАНИ - TECHNICKÉ ÚDAJE - TECHNISCHE DATEN - TEKNISK DATA -
 TEHNILISED ANDMED - ESPECIFICACIONES TÉCNICAS - TEKNISET TIEDOT -
 DONNÉES TECHNIQUES - TECHNICAL DATA - TEHNIČKI PODACI - MŐSZAKI ADATOK -
 DATI TECNICI - TECHNINIAI DUOMENYS - TEHNISKIE DATI - TECHNISCHE GEGEVENS -
 TEKNISKE DATA - DANE TECHNICZNE - DADOS TÉCNICOS - DADOS TÉCNICOS - INFORMAZIONI
 TEHNICE - ТЕХНИЧЕСКИЕ ДАННЫЕ - TEKNISKA DATA - TEHNIČNI PODATKI -
 TECHNICKÉ PARAMETRE - ТЕХНІЧНІ ДАНІ**

MODEL	DH 712 P
	~220V-240V-B / 50Hz - Гц 290W - Вт
 (RT 30°C) (RH 80%)	10 l/day - л / 24ч
	reciprocating(pistons)
 HC	R-290 0,035kg - кг
	100 m ³ /h - м ³ /ч
	5 ~ 32°C
	35 ~ 90%
 H ₂ O	2,8 L - л
 H W L	31x22x46.5 cm - см 36x27x54 cm - см
 kg	10,5 kg - кг 11,4 kg - кг
CO ₂ Eq	0,0001
GWP	3

en

it

de

es

fr

nl

pt

da

fi

no

sv

pl

ru

cs

hu

sl

hr

lt

lv

et

ro

sk

bg

uk

zh

en
it
de
es
fr
nl
pt
da
fi
no
sv
pl
ru
cs
hu
sl
hr
lt
lv
et
ro
sk
bg
uk
zh

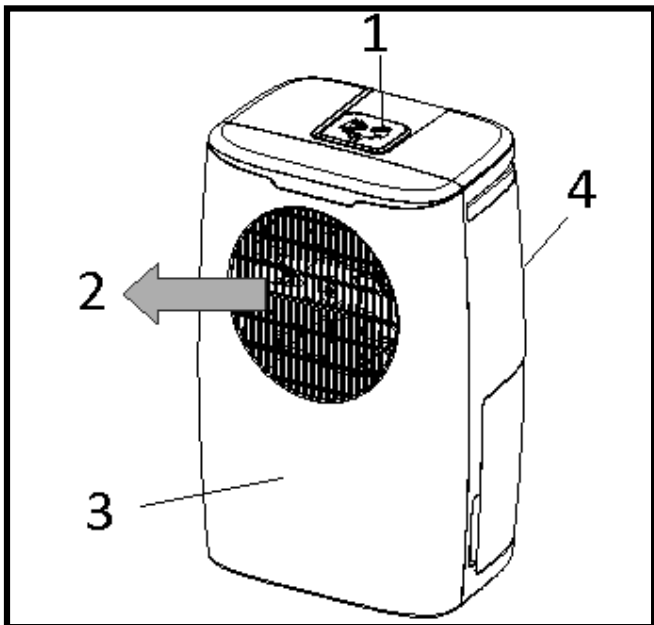


Fig. 1

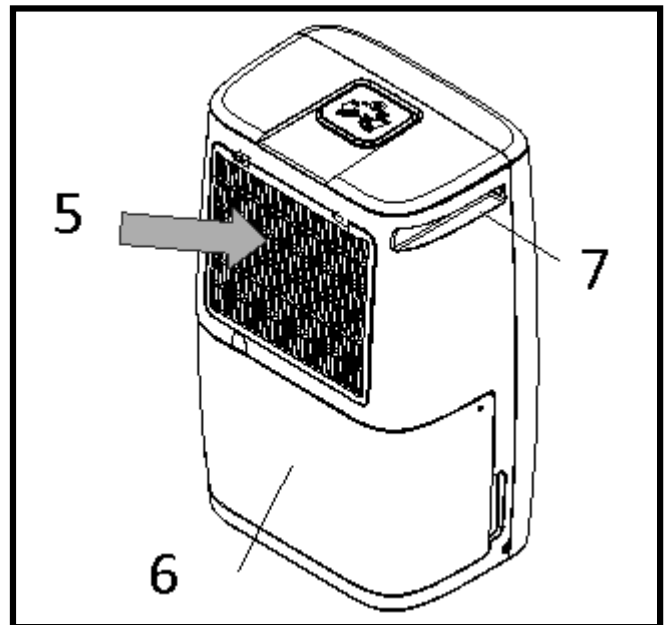


Fig. 2

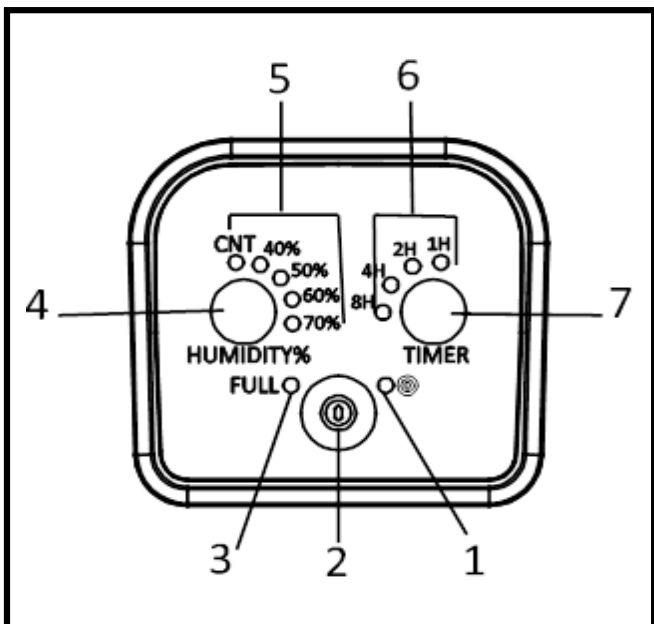


Fig. 3

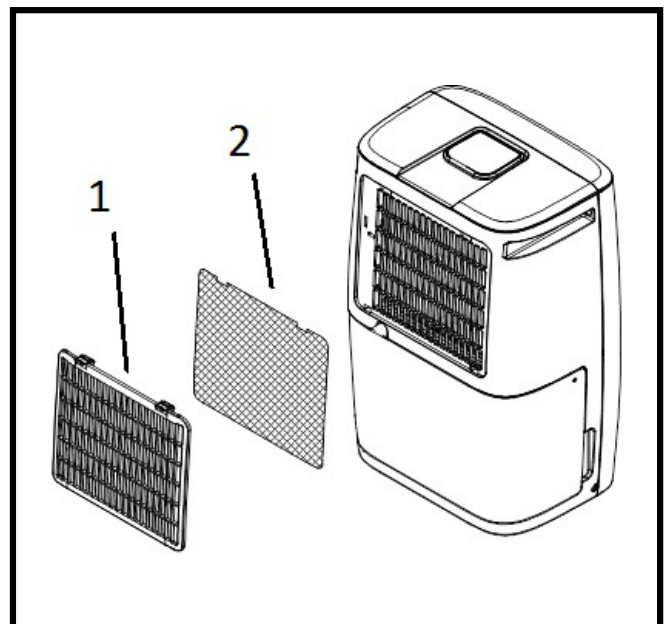


Fig. 4

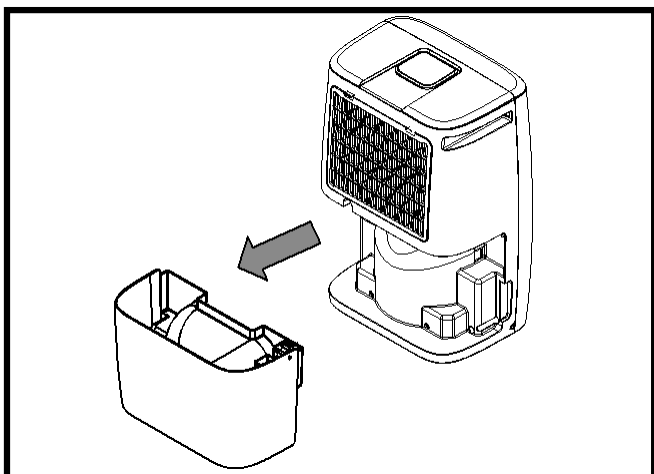


Fig. 5

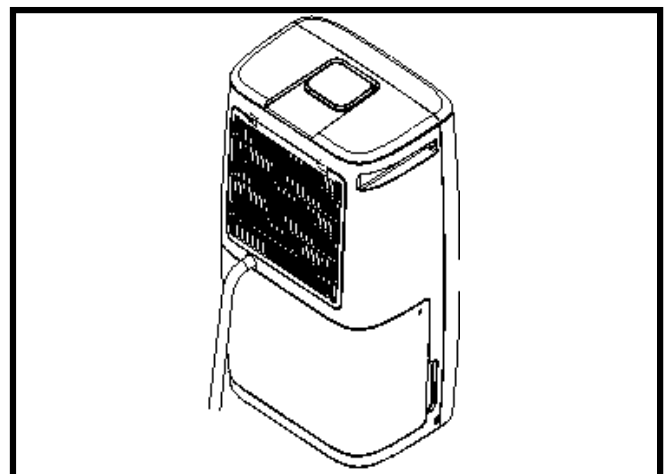


Fig. 6

en

it

de

es

fr

nl

pt

da

fi

no

sv

pl

ru

cs

hu

sl

hr

lt

lv

et

ro

sk

bg

uk

zh

CONTENTS

1...	HOW IT WORKS
2...	WHERE TO POSITION
3...	BEFORE USE
4...	PARTS
5...	OPERATION
6...	DRAINAGE
7...	MAINTENANCE
8...	TROUBLE SHOOTING

PLEASE TAKE TIME TO READ THIS MANUAL CAREFULLY BEFORE USE AND SAVE IT FOR FUTURE REFERENCE.

▶▶ 1. HOW IT WORKS

This product is a dehumidifier. It controls relative humidity by passing the air through the unit, forcing the excess moisture to condensate over the cooling elements. Contact with this cold surface causes the moisture in the air to condense. This condensed water then drains safely into the water tank. The dried air then passes through the condenser where it is slightly warmed and re-enters the room at a slightly elevated temperature.

▶▶ 2. WHERE TO POSITION

Excess moisture will travel throughout your home, in the same way that cooking smells waft to every room in the house. For this reason, the dehumidifier should be positioned, so that it can draw this moist air towards it from all over the home.

Alternatively, if you have a serious problem in one area you can begin by positioning the dehumidifier close to this area and later moving it to a more central point.

When positioning the dehumidifier, ensure that it is placed on a level surface and that there is a minimum of 10 cm (4") of space on either side of the unit to allow for efficient airflow.

If you move the unit, it should first be switched off and the water tank emptied.

We do not recommend the use of an extension lead, so please try to ensure that the unit is sufficiently close to a fixed mains socket. If it is necessary to use an extension lead, please ensure the diameter of the wires of the cable is at least 1 mm².

When the dehumidifier is in operation, outside doors and windows should be closed when necessary for most efficient use .

▶▶ 3. BEFORE USE CAUTION!



These symbols on your device mean:

- ▶ This appliance is filled with Propane gas R290. Follow strictly the manufacturer's instruction concerning use and repairs!
- ▶ Before using the machine, read carefully the entire instruction manual.
- ▶ Do not install, operate or store the device in a room smaller than 4m².

GENERAL CAUTIONS

- ▶ Always keep the unit in vertical position.
- ▶ Leave the unit to stand for 12 hours before connecting to the mains supply after transport or when it has been tilted (e.g. during cleaning).
- ▶ Only use the unit in the upright position on a flat level surface (even during transport!) and at least 50cm from any objects.
- ▶ Do not use the unit in a potentially explosive environment containing combustible liquids, gases or dusts.
- ▶ Do not use the appliance in the vicinity of flammable or explosive substances or fuels. Never use any paint, cleaning sprays, anti-insect sprays or similar near the unit; this could deform the plastic or cause electrical damage.
- ▶ Keep all foreign objects away from the air intake or output openings.
- ▶ The mains supply must conform to the specification shown on the rating plate at the back of the unit.
- ▶ Do not place on soft surfaces.
- ▶ Ensure that there is at least 50cm between the sides of the appliance and any flammable, heating materials.
- ▶ Only connect the unit to a properly installed and easily accessible socket so that you can quickly pull the plug in an emergency.
- ▶ DO NOT OBSTRUCT THE AIR INTAKES AND EXHAUSTS.

- ▶ DO NOT EXPOSE THE UNIT TO DIRECT SUNLIGHT.
- ▶ FOR INDOOR USE ONLY.
- ▶ DO NOT USE THE UNIT IN LAUNDRY ROOM, BATHROOMS, SWIMMING POOLS, WASHROOMS OR SIMILAR WET AREAS.
- ▶ DO NOT USE THE UNIT IN LAUNDRY ROOM, CABINET, CLOSET, BOATS, CARAVANS OR OTHER SMALL AND ENCLOSED SPACES.
- ▶ DO NOT USE THE UNIT CLOSE TO A BATHTUB, SHOWER, SINK AND THE LIKE.
- ▶ Protect the dehumidifier from water drops and spray. DO NOT LET ANY LIQUID ENTER THE UNIT. Never pour or spray water over it. Never place objects filled with liquid on top of the dehumidifier, e.g. vases.
- ▶ Do not use the appliance in locations where paint, petrol or other flammable liquids are used or stored.
- ▶ Do not allow the appliance to fall over when there is water in the bucket.
- ▶ DO NOT PLACE A CONTAINER WITH LIQUID ON TOP OF THE UNIT.
- ▶ THE CONDENSED WATER IS NOT FOR DRINKING EITHER FOR HUMAN OR ANIMALS
- ▶ Do not lay the cord under carpets/rugs so that you can regularly check its condition.
- ▶ DO NOT TOUCH THE PLUG OF THE UNIT WITH WET HANDS.
- ▶ Never use the cord of the unit as a carrying strap.
- ▶ Always unplug the unit from the mains and wait for at least one hour before carrying out any maintenance, transport or cleaning of the unit.
- ▶ Always switch the unit off and pull the plug out of the socket:
 - you are not using the unit.
 - Before you clean the unit.
 - Before you assemble the accessories.
 - If a fault occurs.
 - In the event of a storm.
- ▶ AVOID OVER-TWISTING, -COILING, -PULLING THE POWER CORD, NEVER USE NYLON OR IRON WIRE TO TIE THE POWER CORD.
- ▶ DO NOT USE EXTENSION CORDS.
- ▶ THE APPLIANCE SHALL BE INSTALLED IN ACCORDANCE WITH NATIONAL WIRING REGULATIONS.
- ▶ NEVER REACH TO RETRIEVE THE UNIT IF IT HAS FALLEN IN WATER. IN SUCH CASE, IMMEDIATELY PULL THE PLUG. HAVE THE UNIT CHECKED BEFORE USING IT AGAIN.
- ▶ If the supply cord is damaged, it must be replaced by an approved service representative or a similar qualified person in order to avoid a hazard.
- ▶ Never use the plug to start and stop the unit. Always use switch on the control panel.
- ▶ Don't use bug sprays or other flammable cleaners on the unit.
- ▶ Never pour or spray water over the unit.
- ▶ Avoid the unit from splash.
- ▶ Closely supervise any children and pets when the unit is in use.
- ▶ CHILDREN SHALL NOT PLAY WITH APPLIANCE.
- ▶ Cleaning and user maintenance shall not be made by children without supervision.
- ▶ Never leave a functioning device unsupervised.
- ▶ Do not pull the unit along by the cord.
- ▶ Make sure that the plug and socket remain visible and accessible at all the time.
- ▶ Do not exceed the recommended room size for max. efficiency.
- ▶ Close the doors and windows.
- ▶ Before moving the unit, first switch off, then unplug and empty the water tank.
- ▶ Keep curtains or blinds closed during the sunniest hours of the day.
- ▶ Keep filters clean.
- ▶ Do not turn on the appliance if you have discovered damage to the appliance, cord or plug, if the appliance is malfunctioning or if there are signs of any other defect. Return the complete product to the vendor or to a certified electrician for inspection and/or repair. Always ask for original parts. The appliance (incl. cord and plug) may only be opened and/or repaired by properly authorized and qualified persons.
- ▶ Suggest to send the unit for professional maintenance periodically.
- ▶ ONLY A LICENSED PROFESSIONAL IS ALLOWED TO DISMANTLE OR MODIFY THE APPLIANCE.
- ▶ THE MACHINE IS TO BE USED ONLY FOR ITS PRESCRIBED PURPOSE. ANY OTHER USE IS DEEMED TO BE A CASE OF MISUSE. THE USER/OPERATOR, NOT THE MANUFACTURER WILL BE LIABLE FOR ANY DAMAGE OR INJURIES OF ANY KIND CAUSED AS A RESULT OF THIS.
- ▶ THIS APPLIANCE IS NOT INTENDED FOR USE BY PERSONS (INCLUDING CHILDREN) WITH REDUCED PHYSICAL, SENSORY OR MENTAL CAPABILITIES, OR LACK OF EXPERIENCE AND KNOWLEDGE, UNLESS THEY HAVE BEEN GIVEN SUPERVISION OR INSTRUCTION CONCERNING USE OF THE APPLIANCE BY A PERSON RESPONSIBLE FOR THEIR SAFETY. CHILDREN SHOULD BE SUPERVISED TO ENSURE THAT THEY DO NOT PLAY WITH APPLIANCE.
- ▶ SUGGEST TO SEND THE UNIT FOR PROFESSIONAL MAINTENANCE PERIODICALLY.
- ▶▶ **SAFETY RELATING TO REFRIGERANT R290:**
- ▶ Read these warnings carefully.
- ▶ This appliance contains the refrigerant R290. R290 is a refrigerant that complies with the relevant European Directives. Never perforate the refrigerant circuit. R290 is flammable (GWP3)!
- ▶ Do not use means to accelerate the defrosting pro-

en cess or to clean, other than those recommended by the manufacturer.

► The appliance shall be stored in a room without continuously operating ignition sources (for example: open flames, an operating gas appliance or an operating electric heater).

► Do not pierce or burn any of the components of the cooling circuit of the unit. Do not set light to the unit.

► The appliance shall be stored so as to prevent mechanical damage from occurring.

► Appliance should be installed, operated and stored in a room with a floor area larger than 4m².

► Be aware that the refrigerants may not contain an odour, which means you cannot smell leaks.

► Compliance with national gas regulations shall be observed.

► Keep ventilation openings clear of obstruction.

► A warning that the appliance shall be stored in a well-ventilated area where the room size corresponds to the room area as specified for operation.

► Any person who is involved with working on or breaking into a refrigerant circuit should hold a current valid certificate from an industry-accredited assessment authority, which authorizes their competence to handle refrigerants safely in accordance with an industry recognized assessment specification.

► Servicing shall only be performed on the grounds as recommended by the equipment manufacturer. Maintenance and repair requiring the assistance of other skilled personnel shall be carried out under the supervision of the person competent in the use of flammable refrigerants.

IMPORTANT!

Do not use this unit at ambient temperatures below 5°C, to prevent the possibility of a heavily ice up evaporating coil.

►► 4. PARTS

► Front FIG. 1

1. Control panel

2. Air outlet

3. Front plate

4. Rear plate

► Rear FIG. 2

5. Air inlet / Filters

6. Water tank

7. Handle

►► 5. OPERATION

► Control panel FIG. 3

► 1. Power indicator

► 2. ON/OFF (power) button

► 3. "Full Water" indicator

► 4. Humidity setting button

► 5. Working mode indicator (continuous working, humidity 40%, 50%, 60%, 70%)

► 6. Timer operation indicator

► 7. Timer button

► OPERATION

1. Plug the unit into a correct mains socket. (Please refer to the rating label at the rear of the unit for correct voltage/frequency.)

2. Press ON/OFF button to turn on the unit. The power indicator will light on and the compressor will start to work.

3. Press humidity setting button to set the working mode you need: continuous working, humidity 40%, 50%, 60% or 70%. The relative indicator will light on.

4. Press the TIMER button to set the operating hour you need. There are 4 hour indicators above the TIMER button: 1H, 2H, 4H, 8H, however, the working hours could be accumulated, so it's not just 4 different hours you could set. For example, choose 1H and 2H at the same time, the unit will work 3 hours continuously, choose 1H, 2H and 4H at the same, it will work 7 hours. Thus, the max. working hours you could set is 15 hours, in case all these 4 hour indicators light on. As the set time has been reached, the compressor will stop working automatically.

5. To turn off the unit, press ON/OFF button again.

6. Pre-setting function By pressing TIMER button but without turning on the other functions (including ON/OFF button), you can PRE-SET the time for the machine to work. For example, if you press the timer to 2H, the unit will work automatically after 2 hours

7. When the water tank is full, the "Full Water" indicator will light on for alarm, the compressor will stop for self-protection

►► 6. DRAINAGE

While the water tank is full, the compressor will stop for self-protection and the water full indicator will turn into red.

To move the water tank, pull it out squarely from the unit.

After emptying the water tank, place the water tank into space. Make sure it is properly positioned, in order for the 'water full' sign to go out and your dehumidifier is operating.

Please note, in case, the water tank has not been positioned well, the water full indicator will turn into red.

►► CONTINUOUS DRAINAGE

When the dehumidifier is operated at very high humidity levels, the water tank will require more frequent drainage. In this situation, it may be more convenient to set the unit up for continuous drainage with the following procedures:

1. Pull out the water tank (FIG. 5).

2. Connect the drain hole with water tube of inner diameter: 11 mm. The water tube is not supplied with the unit (FIG. 6).

3. Ensure the water will always drain away freely and the tube will remain in right place. Note! In very cold weather conditions, precautions should be taken to prevent the water tube from freezing.
4. Put the water tank back to its position.

▶▶ 7. MAINTENANCE

Always unplug the unit from the mains before carrying out any maintenance or cleaning of the unit.

CLEANING THE BODY

Use soft cloth to wipe the unit clean.

Don't ever use volatile chemicals, gasoline, detergents, chemically treated clothes, or other cleansing solutions. These all could possibly hurt the cabinet.

CLEANING THE FILTER

This dehumidifier is equipped with 2 filters (FIG. 4):

1. ANTI-DUST FILTER

Extract the filter holder, remove the active carbon filter.

Use a vacuum cleaner or tap the filter lightly for easy cleaning. If the filter is particularly dirty, use warm water with a small amount of a small amount of medium strength detergent.

Make sure the filter is completely dry before replacing.

Do not expose the filter to sunlight.

2. ACTIVE CARBON FILTER (for capturing the particles of dust suspended in the air and preventing the production of bacteria.)

The active carbon filter placed under the anti-dust filter is not washable. Its life span is variable and depends on the ambient conditions where the unit is used. The filter should be checked periodically and replaced if necessary.

STORAGE

If not use the unit for an extended period of time. Please:

Turing the unit off, unplug and tidy AC cord.

- ▶ Completely empty the water tank and wipe it clean.
- ▶ Cover the unit and store where it will not receive direct sunlight.

▶▶ 8. TROUBLE SHOOTING

THE UNIT DOES NOT OPERATE:

- ▶ Is the unit plugged in?
- ▶ Is the house electricity on?
- ▶ Is the room temperature below 5°C or above 32°C? If so, then it is out of the working range of the unit.
- ▶ Ensure the humidistat (or ON/OFF switch) is turned on.
- ▶ Check the water tank is positioned properly in the unit and it is not full.
- ▶ Make sure the air inlet and outlet are not obstructed.

THE UNIT SEEMS TO DO NOTHING:

- ▶ Is the filter dusty, contaminated ?
- ▶ Is the air intake or outlet blocked up?
- ▶ Is the room humidity already quite low?

THE UNIT SEEMS TO DO LITTLE:

- ▶ Are too many windows or doors open?
- ▶ Is there something in the room producing lots of humidity?

THE UNIT IS TOO NOISY:

- ▶ Check whether the unit is sitting on a level surface.

THE UNIT IS LEAKING:

- ▶ Make sure the unit is in good shape.

INDICE

it

1...	FUNZIONAMENTO
2...	UBICAZIONE
3...	CONSIGLI PRIMA DELL'USO DELL'IMPIANTO
4...	PARTI
5...	SERVIZIO
6...	USCITA DELL'ACQUA
7...	MANUTENZIONE E CONSERVAZIONE
8...	RIVELAZIONE DEI DIFETTI

PRIMA DI USARE L'IMPIANTO BISOGNA LEGGERE ATTENTAMENTE L'ISTRUZIONE DI USO E CONSERVARLA PER POTER CONSULTARLA IN FUTURO.

►► 1. FUNZIONAMENTO

L'impianto serve alla deumidificazione dell'aria. Controlla l'umidità relativa lasciando passare l'aria per l'impianto, conducendo alla condensazione dell'eccesso di umidità sugli elementi refrigeranti. Il contatto con la superficie fredda provoca la condensazione dell'umidità nell'aria. Poi l'acqua condensata è trasmessa al contenitore dell'acqua. Poi, l'aria secca passa per condensatore dove viene un po' riscaldata, e poi introdotta di nuovo nel locale, ma la sua temperatura è adesso un po' aumentata.

►► 2. UBICAZIONE

l'eccesso di umidità andrà in tutta la casa, nello stesso modo che si diffonde l'odore durante la cottura. per questo, il deumidificatore deve avere il posto giusto per poter raccogliere l'aria umida di tutta la casa.

Eventualmente se in un posto scopriamo il problema possiamo mettere il deumidificatore nella sua vicinanza, e poi spostarlo nel punto centrale.

Posizionando il deumidificatore, bis ogni assicurarsi che si trovi sul posto piatto e che da ogni parte dell'impianto ci sono 10 cm (4") di spazio libero per garantire flusso libero dell'aria.

Durante lo spostamento, l'impianto deve essere spento, e il contenitore dell'acqua svuotato.

Non consigliamo di usare la prolunga, quindi bisogna assicurarsi che l'impianto si trovi abbastanza vicino alla presa di corrente. quando l'uso della prolunga è inevitabile, bisogna assicurarsi che il diametro dei fili del cavo è di almeno 1 mm².

Durante la deumidificazione, tutte le finestre e le porte devono essere chiuse, per garantire il massimo rendimento dell'impianto.

►► 3. CONSIGLI PRIMA DELL'USO DELL'IMPIANTO ATTENZIONE:



I simboli collocati sull'apparecchiatura hanno il seguente significato:

- Dispositivo riempito con propano R290. Rispettare sempre le indicazioni del fabbricante in merito all'uso e alle riparazioni dell'apparecchiatura!
- Prima di avviare l'apparecchiatura, leggere attentamente le istruzioni per l'uso.
- Non installare, utilizzare né conservare l'apparecchiatura in un locale caratterizzato da una superficie inferiore a 4m².

PRINCIPI DI SICUREZZA GENERALI

- Impianto deve trovarsi in posizione verticale.
- Attendere 12 ore prima di collegare il dispositivo all'alimentazione dopo il trasporto o in caso di inclinazione (ad es. durante le operazioni di pulizia).
- Tenere lontano da tutti i fori di entrata ed uscita dell'aria, ogni corpo estraneo.
- Alimentazione elettrica deve essere conforme alla specificazione dal targhetto dati dell'impianto.
- Non posizionare su superfici morbide.
- Accertarsi che vi sia almeno 50cm tra i lati del dispositivo e qualsiasi materiale infiammabile o sensibile al riscaldamento.
- Collegare l'unità a una presa correttamente installata e facilmente accessibile, in modo tale da consentire la sua estrazione in caso di necessità.
- **NON OTTURARE LE PRESE D'ARIA E I FORI DI SCARICO.**
- **NON ESPORRE ALLA LUCE SOLARE DIRETTA.**
- **SOLO PER USO IN INTERNI.**
- **NON USARE IL DISPOSITIVO IN LAVANDERIE, TOILETTE, PISCINE, BAGNI O AMBIENTI UMIDI ANALOGHI.**
- **NON USARE IL DISPOSITIVO IN LAVANDERIE, CABINE, ARMADI, IMBARCAZIONI, ROULOTTE E ALTRI SPAZI LIMITATI DALLE CARATTERISTICHE ANALOGHE.**
- **NON USARE IL DISPOSITIVO IN PROSSIMITÀ DI VASCHE DA BAGNO, DOCCE, LAVANDINI E SIMILI.**
- Proteggere il deumidificatore da gocce e schizzi

d'acqua. **IMPEDIRE L'ACCESSO DI LIQUIDI ALL'INTERNO DEL DISPOSITIVO.** Non versare né spruzzare acqua sul dispositivo. Non posizionare mai oggetti riempiti di liquidi sul deumidificatore (ad es. vasi).

► Non usare il dispositivo in luoghi caratterizzati dall'uso o dallo stoccaggio di vernici, benzina o altri liquidi infiammabili.

► Impedire il ribaltamento dell'apparecchiatura in presenza di acqua nel serbatoio.

► **NON POSIZIONARE RECIPIENTI CON LIQUIDI SOPRA IL DISPOSITIVO.**

► **LA CONDENSA NON È POTABILE PER L'UOMO NÉ PER GLI ANIMALI.**

► Non posizionare il filo sotto tappeti, ma mantenerlo sempre visibile, in modo tale da controllarne le condizioni.

► **NON TOCCARE LA SPINA DEL DISPOSITIVO CON LE MANI BAGNATE.**

► Non usare mai il filo per trascinare il dispositivo.

► Staccare il dispositivo dalla corrente e attendere almeno un'ora prima di effettuare lavori di manutenzione, trasporto o pulizia.

► Spegnerne sempre il dispositivo ed estrarre la spina dalla presa:

- In caso di mancato utilizzo.
- Prima della pulizia.
- Prima dell'assemblaggio di accessori.
- In caso di errori.
- In caso di temporali.

► **EVITARE DI ATTORCIGLIARE, ARROTOLARE, TIRARE IL CAVO DI ALIMENTAZIONE. NON USARE FILI DI FERRO O NYLON PER REGOLARE IL CAVO DI ALIMENTAZIONE.**

► **NON USARE PROLUNGHE.**

► **IL DISPOSITIVO DOVRÀ ESSERE INSTALLATO NEL RISPETTO DELLE NORME NAZIONALI RELATIVE AI CABLAGGI.**

► **NON PROVARE A RECUPERARE IL DISPOSITIVO QUALORA CADA IN ACQUA. IN QUESTI CASI, STACCARE IMMEDIATAMENTE LA SPINA. CONTROLLARE IL DISPOSITIVO PRIMA DI RIUTILIZZARLO.**

► Se il cavo di alimentazione è rotto, deve esser subito sostituito dal personale autorizzato, per evitare il pericolo.

► Non si deve usare la spina elettrica per accendere o spegnere l'impianto. Bisogna sempre usare il pulsante sul pannello comando.

► Prima di spostare l'impianto si deve spegnerlo, e poi svuotare il contenitore dell'acqua.

► Non usare l'aerosolo insetticida oppure altri detergenti infiammabili.

► È vietato di spruzzare o bagnare l'impianto

► Collocare il dispositivo in posizione verticale, su una superficie piana (anche durante il trasporto!), a una distanza di almeno 50 cm dagli altri oggetti.

► Non usare il dispositivo in atmosfere potenzialmente esplosive, contenenti liquidi infiammabili, gas o polveri.

► Non usare il dispositivo in prossimità di sostanze infiammabili o esplosive, né in prossimità di combustibili. Non nebulizzare, nelle vicinanze del dispositivo, vernici, prodotti detergenti, insetticidi né altri prodotti analoghi, poiché ciò potrà comportare la deformazione degli elementi in plastica o il danneggiamento dell'impianto elettrico.

► Proteggere il dispositivo dagli schizzi.

► Sorvegliare i bambini e gli animali domestici qualora si

trovino nei pressi del dispositivo in funzione.

► **NON PERMETTERE AI BAMBINI DI GIOCARE CON IL DISPOSITIVO.**

► I bambini non potranno occuparsi della pulizia né della manutenzione del dispositivo senza la supervisione di un adulto.

► Non lasciare il dispositivo in funzione senza supervisione.

► Non tirare il dispositivo per mezzo del cavo di alimentazione.

► Fare attenzione affinché la spina e la presa si trovino in un luogo visibile e facilmente accessibile.

► Non superare le dimensioni massime indicate del locale per il massimo rendimento del dispositivo.

► Chiudere porte e finestre.

► In caso di forte insolazione, tirare le tende o abbassare gli avvolgibili.

► Fare attenzione alla pulizia dei filtri.

► Non avviare il dispositivo qualora il dispositivo stesso, il cavo di alimentazione o la presa siano danneggiati, il dispositivo funzioni in modo non conforme o vi siano sintomi di altri problemi. Trasmettere il dispositivo completo al rivenditore o a un elettricista in possesso di qualifiche adeguate ai fini del controllo e/o della riparazione. Usare solo i pezzi di ricambio originali. L'apparecchiatura (compresi il cavo di alimentazione e la spina) potranno essere smontati e/o riparati esclusivamente da personale autorizzato e adeguatamente qualificato.

► Si consiglia l'esecuzione periodica della revisione di controllo del dispositivo.

► **L'APPARECCHIATURA POTRÀ ESSERE SMONTATA O MODIFICATA UNICAMENTE DA UN MANUTENTORE QUALIFICATO.**

► **L'APPARECCHIATURA PUÒ ESSERE UTILIZZATA SOLO IN MODO CONFORME ALLA DESTINAZIONE. L'USO CON ALTRE FINALITÀ SARÀ TRATTATO COME UN USO NON CONFORME. IN CASO DI DANNI O LESIONI DOVUTE A TALE PROCEDIMENTO, IL SOGGETTO RITENUTO RESPONSABILE SARÀ L'UTENTE E NON IL FABBRICANTE DEL DISPOSITIVO.**

► Prima di spostare l'impianto si deve spegnerlo, e poi svuotare il contenitore dell'acqua.

► **IL PRESENTE DISPOSITIVO NON È DESTINATO ALL'UTILIZZO DA PARTE DELLE PERSONE (COMPRESI BAMBINI), CON CAPACITÀ FISICHE, SENSORIALI O MENTALI LIMITATE, OPPURE DA PERSONE INESPERTE, SENZA UN CORSO DI FORMAZIONE DA PARTE DI UNA PERSONA RESPONSABILE DELLA LORO SICUREZZA. SI PREGA DI FARE ATTENZIONE A NON FAR GIOCARE I BAMBINI CON IL DISPOSITIVO.**

► **SI CONSIGLIA DI EFFETTUARE UN CONTROLLO PROFESSIONALE DEL DISPOSITIVO A INTERVALLI REGOLARI.**

►► **NORME DI SICUREZZA RELATIVE ALL'AGENTE REFRIGERANTE R290:**

► Leggere attentamente le seguenti avvertenze.

► L'apparecchiatura contiene l'agente refrigerante R290. L'agente refrigerante R290 è conforme alle Direttive vigenti dell'Unione Europea. Non forare l'impianto di raffreddamento. L'agente refrigerante R290 è una sostanza facilmente infiammabile (GWP3)!

► Non usare dispositivi né agenti per l'accelerazione dello sbrinamento o per la pulizia diversi da quelli consigliati dal fabbricante.

- ▶ Conservare il dispositivo in un ambiente chiuso, privo di fonti di ignizione fisse (ad es. fiamme libere, dispositivi a gas in funzione, resistenze elettriche in funzione).
- ▶ Non forare né scaldare gli elementi dell'impianto refrigerante dell'apparecchiatura. Non dirigere la luce direttamente sul dispositivo.
- ▶ Conservare il dispositivo in modo tale che non subisca danneggiamenti meccanici.
- ▶ L'apparecchiatura dovrà essere installata, utilizzata e conservata in un locale caratterizzato da una superficie del pavimento superiore a 4m².
- ▶ L'agente refrigerante può essere inodore. Ciò rende più difficile l'individuazione di eventuali perdite.
- ▶ Rispettare le norme e le leggi nazionali relative ai combustibili gassosi.
- ▶ Non ostruire i fori di ventilazione.
- ▶ Conservare il dispositivo in un locale ben ventilato, caratterizzato da dimensioni adeguate alla specifica tecnica del prodotto.
- ▶ Ogni soggetto impegnato nell'uso o nella riparazione dell'impianto refrigerante dovrà essere in possesso di un valido certificato rilasciato da un'entità tecnica competente, a conferma delle competenze di tale soggetto nel campo dell'uso sicuro degli agenti refrigeranti, nel rispetto delle norme e delle leggi vigenti.
- ▶ Le operazioni di servizio andranno eseguite unicamente nel rispetto delle indicazioni del fabbricante dell'apparecchiatura. Le attività di uso e riparazioni che richiedono la presenza di personale di servizio qualificato andranno eseguite sotto la supervisione di un soggetto con competenze adeguate nell'ambito dell'uso degli agenti refrigeranti infiammabili.

AVVERTENZE !

Non usare l'impianto nella temperatura ambientale inferiore a 5°C, per evitare il gelo dell'evaporatore.

▶▶ 4. PARTI

- ▶ Fronte FIG. 1
 1. Quadro dei comandi
 2. Uscita d'aria
 3. Pannello anteriore
 4. Pannello posteriore
- ▶ Didietro FIG. 2
 5. entrata d'aria / filtri
 6. Contenitore dell'acqua
 7. Mandrino

▶▶ 5. SERVIZIO

- ▶ Pannello di comando FIG. 3
 1. Indicatore dell'alimentazione
 2. Pulsante ON/OFF (alimentazione)
 3. Indicatore del "Riempimento dell'acqua"
 4. Pulsante di impostazione dell'umidità
 5. Indicatore della modalità di lavoro (continuo, umidità del 40%, 50%, 60%, 70%)
 6. Indicatore dell'orologio
 7. Pulsante dell'OROLOGIO

▶ SERVIZIO

1. Collegare il dispositivo all'apposita presa elettrica (Controllare il valore della tensione/frequenza sulla targhetta

dati del dispositivo).

2. Premere il pulsante ON/OFF per avviare il dispositivo. L'indicatore di alimentazione si accenderà e il compressore viene attivato.
3. Premere il pulsante dell'impostazione dell'umidità per selezionare la modalità di lavoro: fisso, livello d'umidità del 40%, 50%, 60% o del 70%. Si accende un indicatore relativo per un dato valore
4. Premere il pulsante TIMER (OROLOGIO), per impostare il tempo di lavoro desiderato. Ci sono 4 indicatori dell'ora sopra il tasto TIMER: 1H, 2H, 4H, 8H. Tuttavia, l'orario di funzionamento può essere sommato, pertanto non sei limitato all'introduzione di 4 valori differenti. Ad esempio, se sceglierai contemporaneamente 1H e 2H ore, il dispositivo funzionerà per 3 ore consecutive. Selezionando 1H, 2H e 4H ore nello stesso momento, farai funzionare l'apparecchiatura per 7 ore. Il tempo massimo che potrai impostare corrisponde a 15 ore, qualora si accendano contemporaneamente tutti e 4 gli indicatori del numero di ore. Dopo che è passato il tempo impostato, il compressore si disattiva automaticamente.
5. Per disattivare il dispositivo, premere il pulsante ON/OFF.
6. Con la funzione di preattivazione (PRE-SET), tramite il pulsante OROLOGIO è possibile programmare l'orario dell'avvio della macchina senza attivare altre funzioni del dispositivo (compreso il pulsante ON/OFF)/ Per esempio, impostando l'orologio sul 2H, il dispositivo si attiverà dopo 2 ore.

▶▶ 6. USCITA DELL'ACQUA

Con il serbatoio pieno, il compressore - per motivi di sicurezza - viene disattivato automaticamente e l'indicatore di riempimento dell'acqua si illumina in rosso.

Per rimuovere il serbatoio dell'acqua, estrarlo perpendicolarmente dalla macchina.

Una volta svuotato il serbatoio, rimetterlo al suo posto. Dopo il riposizionamento del serbatoio, la spia del riempimento dell'acqua si spegne e il deumidificatore si avvia.

Nel caso in cui il serbatoio venga inserito male, l'indicatore del riempimento rimane illuminato in rosso.

▶▶ SCOLLO CONTINUO

Utilizzando il deumidificatore in condizioni di elevata umidità dell'aria, il serbatoio dell'acqua richiederà uno svuotamento più frequente. In tale situazione, più conveniente è impostare l'opzione dello svuotamento continuo del serbatoio, a tale scopo eseguire le seguenti operazioni:

1. Rimuovere il serbatoio dell'acqua (FIG. 5)
2. Collegare il conduttore d'acqua all'uscita del diametro: 11 mm (il condotto non è fornito con il dispositivo) (FIG. 6)
3. Assicurarsi, che il condotto sia fissato bene e l'acqua scorra senza intoppi. Attenzione! Alle temperature molto basse, proteggere il condotto dal congelamento.
4. Posizionare il serbatoio al suo posto.

▶▶ 7. MANUTENZIONE E CONSERVAZIONE

Prima di cominciare la manutenzione o la pulizia bisogna scollegare l'impianto dalla rete elettrica.

PULIZIA DELLA CARCASSA

Per pulire l'impianto bisogna usare il tessuto morbido. Vietato di usare delle sostanze chimiche volatili, detersivi, benzina, vestiti trattati chimicamente, pure altre soluzioni di pulizia. Ogni sostanza sopra citata può danneggiare la

carcassa dell'impianto.

PULIZIA DEL FILTRO

Questo modello di deumidificatore è dotato di 2 tipi di filtri (FIG. 4):

1. FILTRO ANTIPOLVERE

-staccare il fissaggio del filtro, rimuovere il filtro a carboni attivi.

- Pulire il filtro delicatamente tramite l'aspirapolvere o sciacquandolo al rubinetto. -Se il filtro è molto sporco, usare acqua calda e una piccola quantità di detergente delicato.

- prima del suo utilizzo, assicurarsi che il filtro sia completamente asciutto

- non esporre il filtro alla luce solare diretta.

2. FILTRO A CARBONI ATTIVI (per legare le particelle di polvere sospese nell'aria e per ridurre la proliferazione di batteri).

Il filtro a carboni attivi si trova dietro il filtro antipolvere e contrariamente a quest'ultimo, non è lavabile. La durata del filtro a carboni attivi dipende dalle condizioni dell'ambiente dove viene utilizzato il dispositivo. Il filtro deve essere controllato periodicamente e sostituito, se necessario.

CONSERVAZIONE:

Se l'impianto non è usato per lungo tempo bisogna spegnerlo. Filo di alimentazione deve esser scollegato e pulito:

► Svuotare completamente il contenitore acqua ed asciugarlo con cura.

► Coprire l'impianto per proteggerlo contro i raggi del sole.

►► 8. RIVELAZIONE DEI DIFETTI IMPIANTO NON FUNZIONA:

► Impianto non collegato alla rete elettrica?

► Rete elettrica a casa è accesa?

► Temperatura ambientale è di 5°C oppure più di 32°C? Rispondendo sì alle domande, sappiamo che la temperatura è fuori il regime di lavoro dell'impianto.

► Bisogna assicurarsi se umidostato (oppure commutatore ON/OFF) sia acceso.

► Controllare se il contenitore acqua sia posizionato correttamente nell'impianto e se non sia pieno.

► Assicurarsi che l'entrata e l'uscita dell'aria non siano bloccate.

IMPIANTO SEMBRA NON LAVORARE:

► Filtro è sporco ?

► Entrata ed uscita sono bloccate?

► Umidità nel locale non è troppo bassa?

LAVORO DELL'IMPIANTO SEMBRA ESSER INEFFICIENTE:

► Troppe porte e finestre aperte?

► Nel locale funziona l'impianto che genera troppa umidità?

IMPIANTO E TROPPO RUMOROSO:

► Controllare se l'impianto sia stabile sulla superficie piana.

IMPIANTO PERDE:

► Assicurarsi che stato tecnico dell'impianto sia buono

BEDIENUNGSANLEITUNG

1...	FUNKTIONSWEISE
2...	PLATZIERUNG
3...	EMPFEHLUNGEN VOR DEM ERSTBETRIEB
4...	TEILE
5...	BEDIENUNG
6...	WASSERABLEITUNG
7...	WARTUNG UND INSTANDHALTUNG
8...	MÄNGELERKENNUNG

VOR DER ANWENDUNG DIESES GERÄTES SOLL MAN SICH AUSFÜHRlich MIT DER ANLEITUNG BEFASSEN UND SIE DANN AUFBEWAHREN UM SPÄTER NUTZEN ZU KÖNNEN.

▶▶ 1. FUNKTIONSWEISE

Das vorliegende Produkt dient zum Trocknen von Luft. Es überwacht die relative Feuchtigkeit indem es die Luft durch das Gerät verarbeitet und zur Kondensierung des Übermaßes an Feuchtigkeit an den Kälteteilen führt. Die Berührung mit kalter Oberfläche bewirkt, dass sich die Feuchtigkeit in der Luft verflüssigt. Danach wird das Kondenswasser sicher in den Wasserbehälter abgeleitet. Die getrocknete Luft geht durch den Kondensator, in dem sie leicht erwärmt wird und dann wieder in den Raum eingespeist wird, wobei ihre Temperatur ist gering erhöht.

▶▶ 2. PLATZIERUNG

Das Übermaß an Feuchtigkeit wird sich im ganzen Haus verteilen auf die selbe Art und Weise wie sich Gerüche während des Kochens im ganzen Raum ausbreiten. Deswegen sollte die Trocknungsanlage so platziert werden, dass er feuchte Luft aus dem ganzen Haus aufnehmen kann.

Es besteht auch die Möglichkeit, dass, wenn an einer Stelle im Haus es zu einem ernsthaften Problem kommt, man die Trocknungsanlage in der Nähe dieser Stelle stellt und danach sie in einen mehr zentralen Punkt verschiebt.

Während die Trocknungsanlage aufgestellt wird, soll man sich vergewissern, dass sie sich auf ebener Fläche befindet und, ob an jeder Seite 10 cm (4“) Freiraum vorhanden sind, um einen leistungsfähigen Luftfluss zu ermöglichen. Wenn das Gerät verschoben werden soll, muss man es vorher ausschalten und den Wasserbehälter entleeren.

Es wird nicht empfohlen einen Verlängerungskabel zu benutzen, im Zusammenhang damit soll man sich vergewissern, ob das Gerät sich ausreichend Nah an einer Steckdose befindet. Wenn die Verwendung eines Verlängerungskabels notwendig sein wird, muss man sich vergewissern, ob der Kabeldurchmesser mindestens 1 mm² beträgt.

Während das Gerät arbeitet, sollten bei Notwendigkeit die Außentüren und Fenster geschlossen bleiben, und die maximale Leistungsfähigkeit des Gerätes zu sichern.

▶▶ 3. EMPFEHLUNGEN VOR DEM ERSTBETRIEB ACHTUNG!



- ▶ Die auf dem Gerät angegebenen Zeichen haben folgende Bedeutung:
- ▶ Das Gerät ist mit R290-Propan gefüllt. Beachten Sie unbedingt die Betriebs- und Reparaturanleitung des Herstellers!
- ▶ Lesen Sie die Bedienungsanleitung sorgfältig durch, bevor Sie das Gerät in Betrieb nehmen.
- ▶ Installieren, verwenden oder lagern Sie das Gerät nicht in einem Raum, der kleiner als 4 qm ist.

ALLGEMEINE SICHERHEITSGEDELN

- ▶ Das Gerät muss immer in vertikaler Stellung aufgestellt sein.
- ▶ Bevor das Gerät nach dem Transport oder nachdem es (z.B. bei der Reinigung) gekippt wurde an die Stromversorgung angeschlossen wird, muss man 12 Stunden abwarten.
- ▶ Das Gerät ist auf einer ebenen Fläche (auch beim Transport!) aufrecht und mindestens 50 cm von anderen Gegenständen entfernt aufzustellen.
- ▶ Das Gerät darf nicht in einer explosionsgefährdeten Atmosphäre mit brennbaren Flüssigkeiten, Gasen oder Stäuben verwendet werden.
- ▶ Das Gerät darf nicht in der Nähe von brennbaren oder explosiven Substanzen oder Brennstoffen verwendet werden. Keine Farben, Reinigungsmittel, Insektizide oder ähnliche Produkte in der Nähe des Gerätes versprühen, da dies zu einer Verformung der Kunststoffteile oder zu Schäden an der elektrischen Installation führen kann.
- ▶ Alle Fremdkörper solle weit von den Ein- und Ausgangsöffnungen aufbewahrt werden.
- ▶ Die Stromversorgung muss mit der Nenntafel übereinstimmen, die sich auf der Rückseite des Gerätes befindet.
- ▶ Nicht auf weichen Oberflächen aufstellen.
- ▶ Es muss ein Mindestabstand von 300 mm zwischen den Seiten des Gerätes und brennbaren Heizmaterialien eingehalten werden.
- ▶ Das Gerät ausschließlich an korrekt montierte und ein-

fach erreichbare Steckdosen anschließen, so dass der Stecker im Notfall schnell heraus gezogen werden kann.

► LUFTEINLASS- UND ABLUFTÖFFNUNGEN NICHT VERSPERREN.

► DAS GERÄT NIEMALS DIREKTER SONNENEINSTRALUNG AUSSETZEN.

► NUR FÜR DEN BETRIEB IM INNENBEREICH GEEIGNET.

► DAS GERÄT DARF NICHT IN WASCHKÜCHEN, BADEZIMMERN, SCHWIMMBÄDERN, WASCHRÄUMEN ODER ANDEREN FEUCHTEN UMGEBUNGEN VERWENDET WERDEN.

► DAS GERÄT DARF NICHT IN WASCHKÜCHEN, SCHRÄNKEN, ABSTELLRÄUMEN, BOOTEN, WOHNMOBILN ODER ANDEREN KLEINEN UND GESCHLOSSENEN RÄUMEN VERWENDET WERDEN.

► DAS GERÄT DARF NICHT IN DER NÄHE VON BADEWANNEN, DUSCHKABINEN, EWASCHBECKEN O.Ä. VERWENDET WERDEN.

► Den Luftentfeuchter gegen Wassertropfen und Sprühwasser schützen. ES DARF KEINE FLÜSSIGKEIT IN DAS GERÄT GELANGEN. Niemals Wasser über das Gerät gießen oder sprühen. Niemals mit Flüssigkeit gefüllte Gegenstände (z.B. Vasen) auf den Luftentfeuchter stellen.

► Das Gerät nicht an Orten verwenden, an denen Lacke, Benzin oder andere brennbare Flüssigkeiten verwendet oder gelagert werden.

► Unbedingt das Umfallen des Geräts verhindern, wenn der Behälter mit Wasser gefüllt ist.

► ES DARF KEIN MIT FLÜSSIGKEIT GEFÜLLTER BEHÄLTER AUF DAS GERÄT GESTELLT WERDEN.

► DAS KONDENSWASSER IST WEDER FÜR MENSCHEN NOCH FÜR TIERE ZUM TRINKEN GEEIGNET.

► Das Kabel darf nicht unter Teppichen/Läufnern verlegt werden, damit dessen Zustand jederzeit überprüft werden kann.

► DEN STECKER DES GERÄTS NICHT MIT NASSEN HÄNDEN ANFASSEN.

► Das Kabel des Geräts niemals als Tragegurt verwenden.

► Das Gerät vor Wartungsarbeiten, Transport oder Reinigung immer vom Netz trennen und mindestens eine Stunde lang abwarten.

► Das Gerät ist in folgenden Fällen immer auszuschalten und von dem Netz zu trennen:

- Wenn es nicht verwendet wird.
- Bevor es gereinigt wird.
- Bevor Zubehör montiert wird.
- Im Störfall.
- Bei Stürmen.

► VERDREHEN, AUFWICKELN UND ÜBERSTRECKEN DES STROMKABELS VERMEIDEN. NIEMALS NYLON ODER EISENDRAHT VERWENDEN, UM DAS STROMKABEL ZUSAMMENZUBINDEN.

► KEINE VERLÄNGERUNGSKABEL VERWENDEN.

► DAS GERÄT MUSS NACH MASSGABE NATIONALER KABELVORSCHRIFTEN INSTALLIERT WERDEN.

► NIEMALS VERSUCHEN, DAS GERÄT WIEDER IN GANG ZU BRINGEN, WENN ES INS WASSER GEFALLEN IST. IN DIESEM FALL DEN STECKER SOFORT HERAUS ZIEHEN. DAS GERÄT VOR DER ERNEUTEN VERWENDUNG ÜBERPRÜFEN LASSEN.

► Wenn der Versorgungskabel beschädigt ist, muss er vom

autorisierten Fachhändler unserer Serviceabteilung oder einer Person, die über entsprechende Befugnisse verfügt, ausgetauscht werden, damit es zu keine Gefahr kommt.

► Zum Ein- und Ausschalten darf man in keinem Fall den Stecker benutzen. Man muss immer den Schalter auf dem Bedienungsfeld benutzen.

► Bevor das Gerät verstellt oder verschoben wird, muss man es erst ausschalten und den Wasserbehälter entleeren.

► Man darf keine Sprühsubstanzen gegen Insekten oder andere leichtbrennbare Reinigungsmittel verwenden.

► In keinem Fall darf man das Gerät mit Wasser besprühen oder begießen.

► Das Gerät vor Spritzern schützen.

► Kinder und Haustiere, die sich in der Nähe des in Betrieb befindlichen Geräts aufhalten, müssen beaufsichtigt werden.

► KINDERN IST ES NICHT ERLAUBT, MIT DEM GERÄT ZU SPIELEN.

► Kinder dürfen das Gerät ohne Aufsicht von Erwachsenen weder reinigen noch warten.

► Das Gerät darf nicht unbeaufsichtigt betrieben werden.

► Das Gerät nicht am Versorgungskabel ziehen.

► Sicherstellen, dass Stecker und Steckdose an einer gut sichtbaren und leicht zugänglichen Stelle platziert sind.

► Die empfohlene Raumgröße überschreiten, um maximale Leistung zu gewährleisten.

► Fenster und Türen schließen.

► Bei übermäßiger Sonneneinstrahlung die Vorhänge zuziehen oder Jalousien herunterlassen.

► Filter sauber halten.

► Bevor das Gerät verstellt oder verschoben wird, muss man es erst ausschalten und den Wasserbehälter entleeren.

► Es ist verboten, das Gerät in Betrieb zu nehmen, wenn es sowie das Netzkabel oder der Stecker beschädigt sind, das Gerät nicht richtig funktioniert oder es Anzeichen für eine andere Fehlfunktion gibt. Das komplette Gerät zur Inspektion und/oder Reparatur an einen qualifizierten Händler oder Elektriker übergeben. Ausschließlich originale Ersatzteile verwenden. Das Gerät (einschließlich Netzkabel und Stecker) darf nur von autorisierten und entsprechend qualifizierten Personen demontiert und/oder repariert werden.

► Es wird empfohlen, das Gerät in regelmäßigen Abständen zu warten.

► DAS GERÄT DARF NUR VON EINEM ZERTIFIZIERTEN SERVICETECHNIKER DEMONTIERT ODER MODIFIZIERT WERDEN.

► DAS GERÄT DARF NUR BESTIMMUNGSGEMÄSS VERWENDET WERDEN. DIE VERWENDUNG ZU EINEN ANDEREN ZWECK GILT ALS NICHT BESTIMMUNGSGEMÄSS. JEGLICHE SCHÄDEN ODER VERLETZUNGEN, DIE SICH AUS EINEM SOLCHEN VERHALTEN ERGEBEN, LIEGEN IN DER VERANTWORTUNG DES BENUTZERS, NICHT DES GERÄTEHERSTELLERS.

► DAS GERÄT SOLL NICHT DURCH PERSONEN (EINSCHLIESSLICH DER KINDER) MIT BEGRENZTEN KÖRPERLICHEN, SENSORISCHEN ODER MENTALEN FÄHIGKEITEN ODER DURCH PERSONEN, DIE KEINE ERFAHRUNG BESITZEN UND NICHT DURCH EINE FÜR IHRE SICHERHEIT VERANTWORTLICHE PERSON GESCHULT WURDEN, BEDIENT WERDEN. ES IST SICHERZUSTELLEN, DASS KINDER MIT DEM GERÄT NICHT SPIELEN.

► ES WIRD EMPFOHLEN, DAS GERÄT REGELMÄSSIG ZUR PROFESSIONELLEN WARTUNG EINZUSCHICKEN.

►► SICHERHEITSREGELN IM BEREICH DES KÄLTEMITTELS R290:

► Machen Sie sich mit den folgenden Warnhinweisen sorgfältig vertraut.

► Das Gerät enthält das Kältemittel R290. Das Kältemittel R290 entspricht den relevanten Richtlinien der Europäischen Union. Das Kühlsystem darf nicht durchstoßen werden. Das Kältemittel R290 ist eine brennbare Substanz (GWP3)!

► Keine anderen als die vom Hersteller empfohlenen Geräte oder Mittel zur Beschleunigung der Enteisung oder Gerätereinigung verwenden.

► Das Gerät in einem Raum ohne feste Zündquellen (z.B. offene Flamme, laufendes Gasgerät oder laufender Elektroerhitzer) lagern.

► Die Komponenten des Gerätekühlsystems dürfen nicht durchstoßen sowie erhitzt werden. Kein direktes Licht auf das Gerät richten.

► Das Gerät so aufbewahren, dass es nicht mechanisch beschädigt wird.

► Das Gerät muss in einem Raum mit einer Bodenfläche von mehr als 4 qm installiert, betrieben und aufbewahrt werden.

► Das Kältemittel kann geruchlos sein, wodurch die Ermittlung von Leckagen schwieriger sein kann.

► Einzuhalten sind nationale Normen und Vorschriften für Gasbrennstoffe.

► Keine Lüftungsöffnungen verdecken.

► Das Gerät in einem gut belüfteten Raum von einer Größe, die den technischen Spezifikationen des Geräts entspricht, lagern.

► Jede Person, die das Kühlsystem wartet oder repariert, muss im Besitz eines gültigen Zertifikats sein, das von der entsprechenden technischen Organisation ausgestellt wurde und bescheinigt, dass diese Person für den sicheren Umgang mit Kältemitteln in Übereinstimmung mit anerkannten Normen und Vorschriften zugelassen ist.

► Servicearbeiten sollten nur in Übereinstimmung mit den Empfehlungen des Geräteherstellers durchgeführt werden. Bedienung und Reparaturarbeiten, die die Anwesenheit von qualifiziertem Servicepersonal erfordern, müssen unter der Aufsicht einer Person durchgeführt werden, die zu der Verwendung von brennbaren Kältemitteln zugelassen ist.

WICHTIG!

Das Gerät darf man nicht einsetzen, wenn die Raumtemperatur unter 5°C fällt, damit es nicht zum Vereisen des Verdampferschlauches kommt.

►► 4. TEILE

► Vorderseite FIG. 1

1. Bedienfeld
2. Luftaustritt
3. Vorderplatte
4. Hinterplatte

► Rückseite FIG. 2

5. Lufteinlassöffnung / Filter
6. Wasserbehälter
7. Griff

►► 5. BEDIENUNG

► Bedienungsfeld FIG. 3

1. Versorgungsanzeige
2. Ein/Aus-Taste (Energieversorgung)
3. Wasserstandanzeige
4. Feuchtigkeitstaste
5. Betriebsanzeiger (Dauerbetrieb, Feuchtigkeit 40%, 50%, 60%, 70%)
6. Schaltuhranzeige
7. Taste SCHALTUHR

► BEDIENUNG

1. Schließen Sie das Gerät an die geeignete Steckdose an. (Bitte überprüfen Sie die Spannung / Frequenz auf dem Typenschild).

2. Drücken Sie die Ein/Aus-Taste, um das Gerät einzuschalten. Die Betriebsanzeige leuchtet auf und der Kompressor wird gestartet.

3. Drücken Sie die Feuchtigkeitstaste und wählen Sie den gewählten Betriebsmodus aus: Dauerbetrieb, Feuchtigkeit 40%, 50%, 60% oder 70%. Die entsprechende Anzeige leuchtet für den bestimmten Wert auf.

4. Drücken Sie die TIMER-Taste, um die gewünschte Arbeitszeit. Über dem TIMER-Button befinden sich 4 Stundenanzeigen: 1H, 2H, 4H, 8H Std. Die Betriebszeit lässt sich kumulieren. Es können also mehr als 4 verschiedene Zeiträume eingestellt werden. Werden beispielsweise die Optionen 1H und 2H Std. gleichzeitig gewählt, arbeitet das Gerät 3 Stunden am Stück. Werden 1H, 2H und 4H Std. Nach Ablauf der eingestellten Arbeitszeit schaltet der Kompressor automatisch ab.

5. Um das Gerät auszuschalten, drücken Sie die Ein/Aus-Taste.

6. Die Voreinstellfunktion (PRE-SET) - mit Hilfe der SCHALTUHR-Taste und ohne Nutzung weiterer Funktionen (einschließlich Ein/Aus-Taste) kann die Einschaltzeit programmiert werden. Zum Beispiel wenn die Schaltuhr auf 2H gesetzt wird, schaltet sich das Gerät automatisch in 2 Stunden ein.

►► 6. WASSERABLEITUNG

Wenn der Wassertank überfüllt ist, wird der Kompressor aus Sicherheitsgründen automatisch ausgeschaltet und die Wassertankanzeige leuchtet rot auf.

Um den Wassertank zu entfernen, ziehen Sie ihn senkrecht aus dem Gerät heraus.

Nach dem Entleeren des Wassertanks stellen Sie ihn wieder zurück. Vergewissern Sie sich, dass er richtig positioniert ist, wenn ja, dann geht die Wasserstandanzeige aus und der Luftentfeuchter wird wieder eingeschaltet.

Wenn der Wassertank inkorrekt eingesetzt wird, wird die Wasserstandanzeige weiterhin rot leuchten.

STÄNDIGE ABLEITUNG

► Wenn der Luftentfeuchter in einer Umgebung mit hoher Feuchtigkeit verwendet wird, muss der Wassertank häufiger entleert werden. So ist es bequemer, die kontinuierliche Wassertankentleerung einzustellen. Hierfür muss man Folgendes tun:

- ▶ 1. Wassertank entfernen (FIG. 5).
- ▶ 2. Wasserschlauch an die Austrittsöffnung mit folgendem Durchmesser anschließen: 11 mm (Schlauch ist nicht im Lieferumfang enthalten) (FIG. 6).
- ▶ 3. Vergewissern Sie sich, dass der Schlauch richtig angeschlossen ist und das Wasser problemlos abfließt. Wichtig! Bei sehr niedrigen Temperaturen muss der Schlauch vor dem Einfrieren geschützt werden.
- ▶ 4. Stellen Sie den Wassertank wieder zurück.

▶▶ 7. WARTUNG UND INSTANDHALTUNG

Bevor Wartungs- oder Reinigungsarbeiten am Gerät vorgenommen werden, soll man es immer von der Stromversorgung trennen.

GEHÄUSEREINIGUNG

Um das Gerät zu reinigen, soll man einen weichen Lappen verwenden.

In keinem Fall darf man chemische Sprühsubstanzen, Detergentien, Benzin, Kleidung, die chemisch verarbeitet wurde, oder andere Reinigungslösungen verwenden. Jede dieser Substanzen kann das Gehäuse beschädigen.

FILTERREINIGUNG

Der Luftentfeuchter verfügt über zwei Filterarten (FIG. 4):

1. STAUBFILTER

- Nehmen Sie die Filterbefestigung ab, entfernen Sie den Aktivkohlefilter.
- Reinigen Sie den Filter sanft mit Hilfe eines Staubsaugers oder unter fließendem Wasser. Wenn der Filter sehr verschmutzt ist, verwenden Sie lauwarmes Wasser und eine kleine Menge eines milden Reinigungsmittels.
- Vergewissern Sie sich, dass der Filter vor Wiederverwendung völlig trocken ist.
- Schützen Sie den Filter vor direkter Sonneneinstrahlung.

2. AKTIVKOHLEFILTER (bindet Staubpartikel aus der Luft und verhindert Vermehrung der Bakterien).

Der Aktivkohlefilter befindet sich hinter dem Staubfilter, und im Gegensatz zu ihm, ist er nicht abwaschbar. Die Haltbarkeit des Aktivkohlefilters hängt von den Umgebungsbedingungen ab. Der Filter sollte regelmäßig überprüft und gegebenenfalls ausgetauscht werden.

AUFBEWAHRUNG

Wenn das Gerät eine länger Zeitlang nicht benutzt wird, soll man es ausschalten. Den Stromversorgungskabel soll man abschalten und reinigen:

- ▶ Man soll vollständig den Wasserbehälter entleeren und ihn abwischen.
- ▶ Das Gerät soll man abdecken und an einem Ort aufbewahren, wo es keinen Sonnenstrahlen ausgesetzt wird.

▶▶ 8. MÄNGELERKENNUNG

DAS GERÄT FUNKTIONIERT NICHT:

- ▶ Ist das Gerät an das Stromnetz angeschlossen?
- ▶ Ist die Elektrizität im Haus eingeschaltet?

▶ Beträgt die Raumtemperatur 5°C oder mehr als 32°C? Wenn ja, dann liegt sie außerhalb des Arbeitsbereichs des Gerätes.

▶ Man soll sich vergewissern, ob das Humidostat (oder die ON/OFF-Taste) eingeschaltet ist.

▶ Man soll überprüfen, ob der Wasserbehälter ordnungsgemäß im Gerät eingebaut ist und ob er nicht voll ist.

▶ Man soll sich vergewissern, ob die Luftein- und Luftauslassöffnungen nicht gesperrt sind.

ES SCHEINT, DASS DAS GERÄT NICHT ARBEITET:

▶ Ist der Filter verunreinigt oder verstaubt?

▶ Ist die Lufteinlass- oder Luftauslassöffnung blockiert?

▶ Ist die Umgebungsluftfeuchtigkeit nicht schon zu niedrig?

ES SIEHT SO AUS ALS OB DAS GERÄT UNPRODUKTIV ARBEITEN WÜRD:

▶ Sind zu viele Fenster oder Türen geöffnet?

▶ Befindet sich im Raum irgendetwas, was hohe Feuchtigkeit verursacht?

DAS GERÄT IST ZU LAUT:

▶ Man muss überprüfen ob das Gerät auf gerader Fläche steht.

DAS GERÄT HAT EINEN LECK:

▶ Man soll sich vergewissern, ob das Gerät im guten technischen Zustand ist.

INDHOLD

1...	VIRKNING
2...	BELIGGENHED
3...	ANBEFALINGER FØR BRUG
4...	BESTANDSDELE
5...	BETJENINGSPANEL
6...	BORTLEDNING AF VAND
7...	PLEJE OG VEDLIGEHOLDELSE
8...	FEJLFINDING

da

INDEN DE BRUGER DETTE APPARAT SKAL DE LÆSE OMHYGGELIGT INSTRUKTIONEN OG HOLDE DEN TIL SENERE BRUG.

►► 1. VIRKNING

Dette produkt bruges til lufttørring. Den styrer den relative fugtighed ved at sende luft gennem apparatet, hvilket fører til overdreven kondens på køleelementer. Kontakt med kolde overflader forårsager kondensering af fugtighed i luften. Derefter kan kondensvandet sikkert udledes i vandbeholderen. Den tørrede luft passerer gennem kondensatoren, hvor den bliver lidt opvarmet, og derefter indført i rummet og dens temperatur er steget en smule.

►► 2. BELIGGENHED

Overskydende fugt vil sprede over hele huset på samme måde som duften under tilberedningen spreder rundt i lokalet. Af denne grund bør affugteren placeres sådan, så den kan hente den fugtige luft fra hele huset.

Alternativt, hvis et pågældende sted vil være problematisk, er det muligt at placere affugteren nær det sted, og derefter overføre den til et mere centralt punkt.

På tidspunktet for fastsættelsen af affugteren, sørg for, at det er placeret på en lige overflade, og på hver side af apparatet skal der være 10 cm (4 ") afstand for at muliggøre en effektiv luftstrømning.

Hvis du ønsker at overflytte apparatet, skal det først slukkes og vandbeholderen bør fjernes.

Det anbefales ikke at bruge en forlængerledning, derfor skal du sørge for, at apparatet er placeret tæt nok til stikkontakten. Hvis du skal bruge en udvidelse, så sørg for, at diameteren på netledningen er mindst 1 mm².

Under apparatets drift. Tørretumbleren, når det er nødvendigt, udvendige døre og vinduer skal lukkes for at sikre maksimal effektivitet.

►► 3. ANBEFALINGER FØR BRUG BEMÆRK!



Symboler, der er anbragt på apparatet, har følgende betydning:

► Apparatet er fyldt med Propan R290. Følg producentens anvisninger vedrørende apparatets betjening og reparationer!

► Læs manualen grundigt, inden apparatet startes første gang.

► Apparatet skal ikke installeres, bruges eller opbevares i et rum med et gulvareal på mindre end 4m².

GENERELLE SIKKERHEDSREGLER

► Apparatet skal holdes i lodret position.

► Afvent 12 timer inden du tilslutter apparatet til elnettet efter enhedens transport eller hældning (fx. under rengøring).

► Opstil apparatet lodret på en jævn overflade (også under transport!) og på en afstand af mindst 50 cm fra andre genstande.

► Apparatet skal ikke bruges i en potentielt eksplosiv atmosfære indeholdende brandfarlige væsker, gasser og støv.

► Apparatet skal ikke bruges i nærheden af letantændelige eller eksplosive stoffer eller brændstoffer. Der må ikke sprøjtes maling, rensmidler, insektbekæmpelsesmidler eller lignende stoffer i nærheden af apparatet, for det kan føre til deformation af plastdele eller beskadigelse af elinstallation.

► Alle fremmede genstande skal holdes væk fra indløbet og afgang af luften.

► Strømforsyningen skal være i overensstemmelse med de specifikationer angivet på navnepladen på bagsiden af apparatet.

► Må ikke anbringes på bløde overflader

► Sørg for at der er mindst 300 mm mellem apparatets sider og enhver form for brændbare materialer, modtagelige for varme.

► Forbind kun enheden til en korrekt installeret og let tilgængelig kontakt, så du hurtigt kan trække stikket ud i tilfælde af en nødsituation.

► BLOKER IKKE LUFTINDTAGET ELLER UDSTØDNING-

ER.

- ▶ UDSÆT IKKE ENHEDEN FOR DIREKTE SOLLYS.
- ▶ KUN TIL INDENDØRS BRUG.
- ▶ ANVEND IKKE ENHEDEN I ET VASKTØJSRUM, BADEVÆRELSE, SVØMMEPØL, VASKEKÆLDER ELLER LIGNENDE VÅDE OMRÅDER.
- ▶ ANVEND IKKE ENHEDEN I VASKETØJSRUM, SKABE, SMÅ KAMRE, BÅDE, CAMPINGVOGNE ELLER ANDRE SMÅ OG INDELUKKEDE OMRÅDER.
- ▶ ANVEND IKKE ENHEDEN TÆT PÅ ET BADEKAR, BRUSER, VASK ELLER LIGNENDE.
- ▶ Beskyt affugteren mod vanddråber og spray. LAD IKKE VÆSKE KOMME IND I ENHEDEN. Hæld eller spray aldrig vand hen over den. Anbring aldrig genstande fyldt med væske oven på affugteren, fx. vaser.
- ▶ Anvend ikke apparatet på steder, hvor den anvendes eller gemmes maling, benzin eller andre brændbare væsker.
- ▶ Lad ikke apparatet vælte, når der er vand i vandtanken.
- ▶ PLACER IKKE EN BEHOLDER MED VÆSKE OVENPÅ ENHEDEN.
- ▶ DET KONDENSEREDE VAND ER IKKE DRIKKEVAND, HVERKEN FOR MENNESKER ELLER DYR.
- ▶ læg ikke ledningen under tæpper; sørg for at det ligger sådan, at du regelmæssigt kan kontrollere kablets tilstand.
- ▶ RØR IKKE MED ENHEDENS STIKKONTAKT MED VÅDE HÆNDER.
- ▶ Anvend aldrig enhedens ledning som en bærerem.
- ▶ Tag altid først stikket ud af stikkontakten, og vent derefter i mindst en time, før der foretages nogen form for vedligeholdelse, transport eller rengøring af enheden.
- ▶ Afbryd altid enheden og tag altid stikket ud af stikkontakten:
 - Hvis du ikke anvender enheden.
 - Inden du rengør enheden.
 - Inden du tilslutter tilbehøret.
 - Hvis der opstår fejl.
 - I tilfælde af storm.
- ▶ UNDGÅ AT VRIDE ELLER SNO LEDNINGEN OVERDREVENT ELLER AT HIVE I DEN. BRUG ALDRIG NYLON- ELLER JERNTRÅD TIL AT BINDE EL-LEDNINGEN FAST.
- ▶ BRUG IKKE FORLÆNGERLEDNINGER.
- ▶ UDSKYRET SKAL INSTALLERES I OVERENSSTEMMELSE MED NATIONAL LOVGIVNING VEDRØRENDE ELINSTALLATIONER.
- ▶ PRØV ALDRIG AT GRIBE EFTER ENHEDEN, HVIS DEN ER FALDET I VANDET. TRÆK OMGÅENDE STIKKET UD I SÅDANNE TILFÆLDE. FÅ ENHEDEN UNDERSØGT, INDEN DEN IGEN TAGES I BRUG.
- ▶ Hvis ledningen er beskadiget, skal den udskiftes af en autoriseret service repræsentant (en person med passende kvalifikationer) for at undgå fare.
- ▶ Hvis apparatet skal tændes eller slukkes, brug aldrig stikket. Brug altid knappen på kontrolpanelet.
- ▶ Inden apparatet flyttes, skal det først deaktiveres og derefter vandbeholderen skal tømmes.
- ▶ Brug ikke aerosoler til orme eller andre brændbare rengøringsmidler.
- ▶ Under ingen omstændigheder hæld ikke eller sprøjt ikke vandet direkte på apparatet.
- ▶ Beskyt apparatet mod stænk.
- ▶ Børn og dyr, der opholder sig i nærheden af det aktive redede apparat, må holdes under opsyn.

- ▶ LAD BØRNENE IKKE LEGE MED APPARATET.
- ▶ Børn må ikke udføre rengøring og vedligeholdelse på apparatet uden opsyn fra voksne.
- ▶ Apparatet skal ikke efterlades uden opsyn, når det kører.
- ▶ Træk ikke apparatet i strømledningen.
- ▶ Sørg for, at stik og stikdåse er placeret på et synligt og let tilgængeligt sted.
- ▶ Rumstørrelsen, der er anbefalet for apparatets maksimale effekt, må ikke overskrides
- ▶ Luk dør og vinduer.
- ▶ Ved en betydelig solindstråling træk gardiner for eller rul persienner ned.
- ▶ Sørg for, at filtre er rene.
- ▶ Apparatet må ikke aktiveres hvis selve apparatet, strømledningen eller stikket er beskadiget, apparatet fungerer forkert eller der er tegn på andre fejl. Det komplette apparat leveres enten til forhandleren eller en autoriseret elektriker med henblik på at kontrollere og/eller reparere apparatet. Anvend kun originale reservedele. Apparatet (inkl. strømledning og stik) må kun afmonteres og/eller repareres af dertil bemyndigede og kvalificerede personer.
- ▶ Det anbefales at udføre en periodisk kontrolsyn af apparatet.
- ▶ KUN AUTORISERET SERVICEMEDARBEJDER MÅ AFMONTERE ELLER MODIFICERE APPARATET.
- ▶ APPARATET MÅ KUN ANVENDES I OVERENSSTEMMELSE MED FORMÅLET. ANVENDELSE AF APPARATET TIL ANDRE FORMÅL ANSES FOR FORKERT ANVENDELSE. DET ER BRUGEREN OG IKKE PRODUCENTEN, DER ER ANSVARLIG FOR ENHVER FORM FOR TINGSKADE ELLER PERSONSKADE, DER MÅTTE OPSTÅ SOM FØLGE AF SÅDAN ANVENDELSE.
- ▶ Inden apparatet flyttes, skal det først deaktiveres og derefter vandbeholderen skal tømmes.
- ▶ DETTE APPARAT ER IKKE BEREGNET TIL BRUG AF PERSONER (HERUNDER BØRN) MED NEDSAT FYSISK, SENSORISK ELLER MENTAL BEGAVELSE ELLER PERSONER UDEN ERFARING, SOM IKKE HAR VÆRET TRÆNET AF DEN RETTE PERSON, SOM HAR ANSFAR FOR DERES SIKKERHED. MAN SKAL SØRGE FOR, AT BØRN IKKE LEGE MED APPARATET.
- ▶ DET ANBEFALES AT ENHEDEN PERIODISK SENDES TIL PROFESSIONEL VEDLIGEHOLDELSE.

▶▶ SIKKERHEDSREGLER MED HENSYN TIL R290 KØLEMIDDEL:

- ▶ Læs grundigt de nedenstående advarsler.
- ▶ Apparatet indeholder en R290 kølemiddel. R290 kølemiddel lever op til de tilsvarende direktiver gældende i Den Europæiske Union. Lav ikke huller i kølesystemet. R290 kølemiddel er brandfarligt stof (GWP3)!
- ▶ Brug ikke andre redskaber eller midler for at fremskynde afrimningsprocessen eller rengøring af apparatet end dem, der er anbefalet af producenten.
- ▶ Apparatet skal opbevares i et rum uden kontinuerligt aktive antændelseskilder (fx. åben ild, et aktivt gasapparat eller et aktivt elvarmeapparat).
- ▶ Apparatets kølesystem må ikke gennembøres eller brændes. Apparatet skal ikke udsættes for direkte lys.
- ▶ Apparatet skal opbevares så der undgås mekaniske skader.
- ▶ Apparatet skal installeres, betjenes og opbevares i et rum

med et gulvareal på mere end 4m².

► Kølemiddel kan være lugtfrit, hvorved kan det være vanskeligt at finde leakager.

► Overhold de nationale standarder og forskrifter for gasbrændstoffer.

► Ventilationsåbninger må ikke tildækkes.

► Apparatet skal opbevares i et godt ventileret rum med et gulvareal svarende til de tekniske specifikationer for det pågældende apparat.

► Hver person, der udfører betjening eller reparation af kølesystemet, skal have et gyldigt certifikat udstedt af en kompetent teknisk institution, til bekræftelse af personens kvalifikationer inden for sikker håndtering af kølemidler i henhold til de gældende standarder og forskrifter.

► Servicearbejder skal udføres kun i henhold til producentens specifikationer. Håndterings- og reparationsarbejder, der kræver bistand fra en autoriseret servicepersonale, skal udføres under tilsyn fra den person, der har kompetencer inden for anvendelse af letantændelige kølemidler.

VIGTIGT!

Udstyret bør ikke anvendes ved stuetemperatur lavere end 5°C for at forhindre isdannelse på fordampere.

►► 4. BESTANDSDELE

► Frontside FIG. 1

1. Kontrolpanel
2. Luftafgang
3. Frontplade
4. Bagplade

► Bagside FIG. 2

5. Luftindløb / Filtre
6. Vandbeholder
7. Håndtag

►► 5. BETJENINGSPANEL

► Betjeningspanel FIG. 3

1. Strømindikator
2. ON/OFF trykknop
3. Kontrollampe for "Fyldt Vandbeholder"
4. Trykknop for fugtighedsindstilling
5. Kontrollampe for driftsmåde (kontinuerlig drift, fugtighed på 40%, 50%, 60%, 70%)
6. Kontrollampe for timerdrift
7. Trykknop for TIMER

► BETJENING:

1. Tilslut enheden den rigtige netspænding. (Check venligst værdier for spænding/frekvens på enhedens mærkeplade)

2. Tryk på ON/OFF for at starte enheden. Energiindikatoren vil lyse og kompressoren er sat i gang.

3. Tryk på knappen for fugtighedsindstilling for at vælge den ønskede driftsmåde: kontinuerlig drift, fugtighed på 40%, 50%, 60% eller 70%. Kontrollampe for den valgte værdi vil lyse.

4. Tryk på TIMER-knappen for at indstille den ønskede driftstid. Der er 4 timeindikatorer over TIDSINDSTILLINGS-tasten: 1H, 2H, 4H og 8H timer, men arbejdstimerne kan kumu-

leres, således at det ikke blot er 4 forskellige tider, der kan indstilles. Vælg fx 1H og 2H timer på samme tid, enheden vil arbejde konstant i 3 timer, vælg 1H, 2H og 4H timer, hvorefter enheden vil arbejde i 7 timer. Det maksimale antal arbejdstimer er således 15 timer, når alle 4 timeindikatorer er tændt. Kompressoren vil stoppe automatisk når den indstillede tid er udløbet.

5. For at slukke for enheden tryk på ON/OFF knappen.

6. Forindstilling (PRE-SET) – ved at trykke på TIMER-knappen kan man programmere tidspunktet for enhedens start uden at aktivere andre funktioner (heller ikke ON/OFF trykknop). Hvis man eksempelvis indstiller timeren på 2H vil enheden automatisk starte efter 2 timer.

►► 6. BORTLEDNING AF VAND

Når vandbeholderen er fyldt med vand stopper kompressoren automatisk og kontrollampen for fyldt vandbeholder vil lyse rødt.

For at tage vandbeholderen ud træk den vinkelret ud fra enheden.

Efter tømning af vandbeholderen placer den igen på det sædvanlige sted. Vær sikker, at vandbeholderen er godt placeret, kontrollampen for fyldt vandbeholder vil slukke og affugteren bliver aktiveret.

Bemærk: er vandbeholderen ikke placeret rigtigt, vil kontrollampen for fyldt vandbeholder fortsat lyse rødt.

KONTINUERLIG BORTLEDNING

Når affugteren bruges i meget høj luftfugtighed, skal vandbeholderen tømmes oftere. I den situation kan det være mere praktisk at indstille en kontinuerlig tømning af vandbeholderen ved at følge følgende procedure:

1. Tag vandbeholderen ud (Fig. 5).
2. Tilslut tømningsslangen til vandudløbet med en diameter på: 11 mm (tømningsslangen er ikke medleveret) (Fig. 6).
3. Vær sikker, at tømningsslangen er korrekt monteret og at vand kan løbe frit. Bemærk! I meget kolde vejrforhold er det nødvendigt at træffe foranstaltninger for at sikre tømningsslangen mod frysning.
4. Placer vandbeholderen på det sædvanlige sted.

►► 7. PLEJE OG VEDLIGEHOLDELSE

Apparatet skal altid være afbrudt fra el-nettet før rengøring.

RENGØRING AF KASSE

For rengøring af apparatet brug en blød klud. Brug ikke flygtige kemikalier, rengøringsmidler, benzin, tøj, kemisk behandlet rensmidler, eller andre rengøringsløsninger. Hvert af disse stoffer kan beskadige apparatets kasse.

RENGØRING AF FILTER

Denne model af affugter er forsynet med 2 filtertyper (FIG. 4):

1. STØVFILTER

- Fjern filterholderen, tag filteret med aktivt kul ud.

- Rens filteret forsigtigt med anvendelse af støvsuger eller skyl det af under vandhane. Er filteret meget forurenet brug varmt vand med en lille mængde mildt vaskemiddel.

- Vær sikker, at filteret er tørt før det bruges igen.
- Filtret må ikke udsættes for direkte sollys.

2. **AKTIV KULFILTER** (til optagelse af støvpartikler suspenderet i luften samt begrænsning af bakterieformering).

Aktiv kulfilter er placeret under støvfilteret, og er ikke afvaskelig. Aktiv kulfilters levetid er afhængig af omgivelsesforhold på det sted, hvor filteret bruges. Filtret kontrolleres periodisk og udskiftes efter behov.

OPBEVARING

Hvis apparatet ikke anvendes i en længere periode, sluk for det. Tag strømkablet og rens det:

Vandbeholderen skal tømmes og tørres rent.

Apparatet skal dækkes og opbevares på et sted, hvor det ikke udsættes for sollys.

►► 8. FEJLFINDING APPARATET VIRKER IKKE?

- Er apparatet tilsluttet til netværket?
- Er el-forsyningen i huset?
- Er rumtemperaturen på 5° C eller større end 32° C? Hvis ja, betyder det, at temperaturen ligger uden for området af apparatets arbejde.
- Tjek, om hygrostaten (eller ON / OFF- knappen) er tændt.
- Sørg for, at vandbeholderen er placeret korrekt på apparatet, og om den er fuld.
- Sørg for, at indløbet og udløbet af luften er ikke blokeret.

APPARATET VIL IKKE ARBEJDE:

- Er filteret støvet, beskidt?
- Er luftindløbet og afløbet blokeret?
- Er luftfugtigheden ikke for lav?

APPARATETS YDEEVNE ER MEGET SVAG:

- Har du åbnet for mange døre og vinduer?
- Er der noget i rummet, der fører til høj luftfugtighed?

APPARATET STØJER MEGET VED ARBEJDET:

- Sørg for, at apparatet står på en flad overflade.

UDSIVNING FRA APPARATET:

- Sørg for, at apparatet er i god stand.

INSTRUKCJA OBSŁUGI

1...	DZIAŁANIE
2...	UMIEJSCOWIENIE
3...	ZALECENIA PRZED UŻYCIEM URZĄDZENIA
4...	CZĘŚCI
5...	OBSŁUGA
6...	ODPROWADZENIE WODY
7...	CZYSZCZENIE I KONSERWACJA
8...	WYKRYWANIE USTEREK

PRZED UŻYCIEM NINIEJSZEGO URZĄDZENIA NALEŻY DOKŁADNIE ZAPOZNAĆ SIĘ Z INSTRUKCJĄ I ZACHOWAĆ JĄ DO WYKORZYSTANIA W PRZYSZŁOŚCI.

▶▶ 1. DZIAŁANIE

Niniejszy produkt służy do osuszania powietrza. Kontroluje on wilgotność względną poprzez przepuszczenie powietrza przez urządzenie, doprowadzając do skraplania się nadmiaru wilgoci na elementach chłodzących. Kontakt z zimną powierzchnią powoduje skraplanie się wilgoci w powietrzu. Następnie skroplona woda zostaje bezpiecznie odprowadzona do zbiornika wody. Wyszuszone powietrze przechodzi przez skraplacz, w którym zostaje nieznacznie ogrzane, a następnie ponownie zostaje wprowadzone do pomieszczenia, przy czym jego temperatura jest nieznacznie podwyższona.

▶▶ 2. UMIEJSCOWIENIE

Nadmiar wilgoci będzie rozprzestrzeniać się po całym domu w takim samym sposób jak zapach w czasie gotowania roznosi się po pomieszczeniu. Z tego powodu, osuszacz powinien być umieszczony tak, by mógł pobierać wilgotne powietrze z całego domu.

Opcjonalnie, jeśli w jednym miejscu pojawi się poważny problem, możliwe jest umieszczenie osuszacza w pobliżu tego miejsca, a następnie przeniesienie go w bardziej centralny punkt.

W czasie ustawiania osuszacza, należy upewnić się, że jest on umieszczony na równej powierzchni oraz, że z każdej strony urządzenia jest 10 cm (4") przestrzeni, aby umożliwić wydajny przepływ powietrza.

W momencie przemieszczania urządzenia, należy je przedtem wyłączyć, natomiast zbiornik z wodą należy opróżnić.

Nie zaleca się używania przedłużacza, w związku z tym należy upewnić się, że urządzenie znajduje się dostatecznie blisko zamocowanego gniazdka. W razie konieczności użycia przedłużacza, należy upewnić się, że średnica, przewodów kabla wynosi co najmniej 1 mm².

W czasie pracy osuszacza, w razie konieczności drzwi zewnętrzne i okna powinny być zamknięte, aby zapewnić jak największą wydajność urządzenia.

▶▶ 3. ZALECENIA PRZED UŻYCIEM UWAGA!



Symbole umieszczone na urządzeniu mają następujące znaczenie:

- ▶ Urządzenie jest wypełnione propanem R290. Bezwzględnie przestrzegać zaleceń producenta w zakresie obsługi i napraw urządzenia!
- ▶ Przed uruchomieniem urządzenia dokładnie zapoznać się z instrukcją obsługi.
- ▶ Nie instalować, użytkować ani przechowywać urządzenia w pomieszczeniu mniejszym niż 4m².

OGÓLNE ZASADY BEZPIECZEŃSTWA

- ▶ Urządzenie musi zawsze znajdować się w pozycji pionowej.
- ▶ Odczekać 12 godzin przed podłączeniem urządzenia do zasilania po transporcie lub gdy zostało przechylone (np. podczas czyszczenia).
- ▶ Urządzenie ustawić w pozycji pionowej na równym podłożu (także w czasie transportu!) i w odległości co najmniej 50 cm od innych przedmiotów.
- ▶ Nie używać urządzenia w atmosferze potencjalnie wybuchowej zawierającej palne ciecze, gazy lub pyły.
- ▶ Nie używać urządzenia w pobliżu łatwopalnych lub wybuchowych substancji lub paliw. Nie rozpylać w pobliżu urządzenia farb, środków czyszczących, środków owadobójczych ani podobnych środków, ponieważ może to doprowadzić do deformacji elementów plastikowych lub uszkodzenia instalacji elektrycznej.
- ▶ Wszelkie ciała obce należy trzymać z dala od otworów wlotowych i wylotowych powietrza.
- ▶ Zasilanie elektryczne musi być zgodne ze specyfikacją wskazaną na tabliczce znamionowej z tyłu urządzenia.
- ▶ Urządzenia nie stawiać na miękkich powierzchniach.
- ▶ Upewnić się, że zachowany jest minimalny odstęp, co najmniej 300mm pomiędzy urządzeniem a wszelkiego rodzaju palnymi materiałami i źródłami ciepła.
- ▶ Urządzenie podłączać tylko do prawidłowo zainstalowanego i łatwo dostępnego gniazda, aby możliwe było szybkie odłączenie w sytuacji awaryjnej.

- ▶ Nie zasłaniać wlotu ani wylotu powietrza.
- ▶ Nie wystawiać urządzenia na bezpośrednie działanie światła słonecznego.
- ▶ Urządzenie tylko do użytku wewnętrznego.
- ▶ Nie używać urządzenia w pralniach, łazienkach, pływalniach, toaletach lub podobnych wilgotnych pomieszczeniach.
- ▶ Nie używać urządzenia w pralniach, szafach, ubikacjach, łodziach, przyczepach samochodowych lub innych małych i zamkniętych pomieszczeniach.
- ▶ Nie używać urządzenia blisko wanny, prysznicza, zlewu itp.
- ▶ Chronić osuszacz przed kroplami wody i rozpyloną wodą. Nie dopuszczać, by woda przeniknęła do wnętrza urządzenia. Nigdy nie wylewać wody na urządzenie jak i nie rozpylać wody nad urządzeniem. Nigdy nie stawiać na urządzeniu pojemników lub naczyń wypełnionych płynem np. wazonu.
- ▶ Nie używać urządzenia w miejscach, w których używane są lub przechowywane farby, paliwa lub inne palne płyny.
- ▶ Nie dopuszczać do przechylenia ani przewrócenia urządzenia, gdy woda znajduje się w zbiorniku.
- ▶ Nigdy nie stawiać zbiornika z wodą na urządzeniu.
- ▶ Wykroplona woda ze zbiornika nie nadaje się do spożycia przez człowieka ani przez zwierzęta.
- ▶ Nie kłaść przewodu zasilającego pod dywany/chodniki, aby możliwa była regularna jego kontrola.
- ▶ Nie dotykać wtyczki urządzenia mokrymi rękami.
- ▶ Nigdy nie używać przewodu zasilającego do przenoszenia urządzenia.
- ▶ Zawsze wyjąć wtyczkę urządzenia z gniazda zasilania i poczekać co najmniej jedną godzinę przed rozpoczęciem wszelkich prac konserwacyjnych, transportu lub czyszczenia urządzenia.
- ▶ Zawsze wyłączyć urządzenie i wyjąć wtyczkę urządzenia z gniazda zasilania:
 - ▶ - jeśli urządzenie jest nieużywane;
 - ▶ - przed czyszczeniem urządzenia;
 - ▶ - przed montażem akcesoriów;
 - ▶ - jeśli wystąpi usterka;
 - ▶ - w przypadku burzy.
- ▶ Zapobiegać skręcaniu, zwijaniu, rozciąganiu przewodu zasilającego. Nigdy nie używać nylonowych lub metalowych opasek/drutów do spinania przewodu zasilającego.
- ▶ Nie używać przedłużaczy.
- ▶ Urządzenie powinno być instalowane zgodnie z krajowymi przepisami.
- ▶ Nigdy nie uruchamiać urządzenia, jeżeli wcześniej było zalane wodą. W takim przypadku, bezzwłocznie wyjąć wtyczkę urządzenia z gniazda zasilania. Urządzenie należy sprawdzić przed ponownym użyciem.
- ▶ Jeżeli kabel zasilający jest uszkodzony, musi on zostać wymieniony przez autoryzowanego przedstawiciela serwisu (osobę o odpowiednich kwalifikacjach), aby uniknąć zagrożenia.
- ▶ Do załączenia i wyłączenia urządzenia, w żadnym wypadku nie należy używać wtyczki. Zawsze należy używać włącznika na panelu sterowniczym.
- ▶ Przed przemieszczeniem urządzenia, należy je najpierw wyłączyć, a następnie opróżnić zbiornik z wodą.
- ▶ Nie należy stosować aerozoli na robaki lub innych łatwopalnych środków czyszczących.
- ▶ W żadnym wypadku urządzenia nie wolno polewać lub

spryskiwać wodą.

- ▶ Chronić urządzenie przed zachlapaniem.
- ▶ Nadzorować dzieci i zwierzęta domowe przebywające w pobliżu pracującego urządzenia.
- ▶ **NIE POZWALAĆ, ABY DZIECI BAWIŁY SIĘ URZĄDZENIEM.**
- ▶ Dzieci nie mogą zajmować się czyszczeniem ani konserwacją urządzenia bez nadzoru osób dorosłych.
- ▶ **NIE POZOSTAWIAĆ PRACUJĄCEGO URZĄDZENIA BEZ NADZORU.**
- ▶ Nie ciągnąć urządzenia za przewód zasilający.
- ▶ Dopilnować, aby wtyczka i gniazdo znajdowały się w widocznym i łatwo dostępnym miejscu.
- ▶ Nie przekraczać zalecanej wielkości pomieszczenia dla maksymalnej wydajności urządzenia.
- ▶ Zamknąć drzwi i okna.
- ▶ W przypadku znacznego nasłonecznienia zaciągnąć zasłony lub opuścić żaluzje.
- ▶ Dbać o czystość filtrów.
- ▶ Nie uruchamiać urządzenia, jeśli urządzenie, przewód zasilający lub wtyczka są uszkodzone, urządzenie działa nieprawidłowo lub występują oznaki innej usterki. Przekazać kompletne urządzenie sprzedawcy lub elektrykowi posiadającemu odpowiednie kwalifikacje w celu jego kontroli i/lub naprawy. Stosować wyłącznie oryginalne części zamienne. Urządzenie (włącznie z przewodem zasilającym i wtyczką) może zostać rozebrane i/lub naprawione wyłącznie przez upoważnione i odpowiednio wykwalifikowane osoby.
- ▶ Zalecane jest okresowe przeprowadzanie serwisu kontrolnego urządzenia.
- ▶ **URZĄDZENIE MOŻE ROZEBRAĆ LUB MODYFIKOWAĆ WYŁĄCZNIE CERTYFIKOWANY SERWISANT.**
- ▶ **URZĄDZENIE MOŻE BYĆ UŻYWANE TYLKO ZGODNIE Z PRZEZNACZENIEM. WYKORZYSTYWANIE GO W INNYM CELU UCHODZI ZA NIEWŁĄCZIWĄ ZASTOSOWANIE. ZA WSZELKIE USZKODZENIA LUB OBRAŻENIA BĘDĄCE NASTĘPSTWEM TAKIEGO POSTĘPOWANIA ODPOWIADA UŻYTKOWNIK, A NIE PRODUCENT URZĄDZENIA.**
- ▶ Przed przemieszczeniem urządzenia, należy je najpierw wyłączyć, a następnie opróżnić zbiornik z wodą.
- ▶ **NINIEJSZY SPRZĘT NIE JEST PRZEZNACZONY DO UŻYTKOWANIA PRZEZ OSOBY (W TYM DZIECI) O OGRANICZONEJ ZDOLNOŚCI FIZYCZNEJ, CZUCIOWEJ LUB PSYCHICZNEJ, LUB OSOBY NIE MAJĄCE DOŚWIADCZENIA LUB ZNAJOMOŚCI SPRZĘTU, CHYBA ŻE ODBYWA SIĘ POD NADZOREM LUB ZGODNIE Z INSTRUKCJĄ UŻYTKOWANIA SPRZĘTU, PRZEKAZANEJ PRZEZ OSOBY ODPOWIADAJĄCE ZA ICH BEZPIECZEŃSTWO.**
- ▶ Zaleca się okresowe sprawdzanie urządzenia w autoryzowanym serwisie.
- ▶ **▶ ZASADY BEZPIECZEŃSTWA W ODNIESIENIU DO CZYNNIKA CHŁODNICZEGO R290:**
- ▶ Dokładnie zapoznaj się z poniższymi ostrzeżeniami.
- ▶ Urządzenie zawiera czynnik chłodniczy R290. Czynnik chłodniczy R290 jest zgodny z odpowiednimi Dyrektywami Unii Europejskiej. Nie dziurawić układu chłodniczego. Czynnik chłodniczy R290 jest substancją łatwopalną (GWP3)!
- ▶ Nie stosować urządzeń ani środków do przyspieszania odmrażania lub czyszczenia urządzenia innych niż zalecane przez producenta.

► Urządzenie przechowywać w pomieszczeniu pozbawionym stałych źródeł zapłonu (np. otwarty płomień, pracujące urządzenie gazowe lub pracująca grzałka elektryczna).

► Nie przebijaj ani nie opalać elementów układu chłodniczego urządzenia. Nie kierować światła prosto na urządzenie.

► Urządzenie magazynować w taki sposób, aby nie uległo uszkodzeniu mechanicznemu.

► Urządzenie powinno być zainstalowane, użytkowane oraz przechowywane w pomieszczeniu o powierzchni podłogi większej niż 4m².

► Czynniki chłodnicze może być bezwonne, co utrudnia wykrycie nieszczelności.

► Przestrzegać krajowych norm i przepisów dla paliw gazowych.

► Nie zasłaniać otworów wentylacyjnych.

► Urządzenie przechowywać w dobrze wentylowanym pomieszczeniu o wielkości odpowiadającej specyfikacji technicznej urządzenia.

► Każda osoba zajmująca się obsługą lub naprawą układu chłodniczego powinna posiadać ważny certyfikat wydany przez odpowiednią instytucję techniczną, poświadczający kompetencje tej osoby w zakresie bezpiecznej obsługi czynników chłodniczych zgodnie z przyjętymi normami i przepisami.

► Czynności serwisowe należy przeprowadzać wyłącznie zgodnie z zaleceniami producenta urządzenia. Prace obsługowe i naprawy wymagające obecności wykwalifikowanego personelu serwisowego należy przeprowadzać pod nadzorem osoby posiadającej odpowiednie kompetencje w zakresie stosowania łatwopalnych czynników chłodniczych.

WAŻNE!

Urządzenia nie należy używać w temperaturze pokojowej niższej niż 5°C, aby uniemożliwić oblodzenie węzownika parownicy.

►► 4. CZĘŚCI

► Prząd FIG. 1

1. Panel sterowania
2. Wylot powietrza
3. Panel przedni
4. Panel tylni

► Tył FIG. 2

5. Wlot powietrza / Filtry
6. Zbiornik wody
7. Uchwyt

►► 5. OBSŁUGA

► Panel sterowniczy FIG. 3

1. Wskaźnik zasilania
2. Przycisk ON/OFF (zasilanie)
3. Wskaźnik „Wypełnienia Wodą”
4. Przycisk ustawienia wilgotności
5. Wskaźnik trybu pracy (ciągła, wilgotność 40%, 50%, 60%, 70%)
6. Wskaźnik pracy zegara czasowego
7. Przycisk ZEGAR

► PRACA

1. Podłącz urządzenie do właściwego gniazda zasilającego. (Proszę sprawdzić wartości napięcia/częstotliwości na tabliczce znamionowej urządzenia).

2. Naciśnij przycisk ON/OFF aby uruchomić urządzenie. Wskaźnik zasilania zaświeci się i sprężarka zacznie działać.

3. Naciśnij przycisk ustawienia wilgotności aby wybrać tryb pracy: stały, poziom wilgotności 40%, 50%, 60% lub 70%. Zaświeci się odpowiedni wskaźnik dla danej wartości.

4. Naciśnij przycisk TIMER, aby ustawić oczekiwany czas pracy. 4 kontrolki odzwierciedlają nastawienie przycisku TIMER: 1H, 2H, 4H, 8H. Godziny pracy mogą być sumowane, tak więc nie oznacza to tylko wyboru 4 różnych nastaw czasu. Np. wybór 1H i 2H w tym samym czasie oznacza, że urządzenie będzie pracowało 3 godziny. Wybór 1H, 2H, i 4H w tym samym czasie oznacza, że urządzenie będzie pracowało 7 godzin. W ten sposób maksymalny czas pracy może być nastawiony na 15 godzin, w przypadku, gdy wybrane zostaną wszystkie pozycje. Po upływie wskazanej liczby godzin, sprężarka automatycznie wyłączy się.

5. Aby wyłączyć urządzenie, naciśnij przycisk ON/OFF.

6. Funkcja wczesnego włączenia (PRE-SET), za pomocą przycisku ZEGAR bez uruchamiania żadnych innych funkcji urządzenia (także przycisku ON/OFF), można zaprogramować czas włączenia maszyny/ Na przykład, jeśli ustawisz zegar na 2H, urządzenie uruchomi się automatycznie po 2 godzinach.

►► 6. ODPROWADZENIE WODY

Gdy zbiornik wody jest wypełniony, sprężarka wyłączy się samoczynnie dla bezpieczeństwa, a wskaźnik wypełnienia wodą zaświeci się na czerwono.

Aby usunąć zbiornik wody, wysuń go prostopadle z urządzenia.

Po opróżnieniu zbiornika wody, umieść go z powrotem na jego miejscu. Upewnij się, że jest on właściwie umieszczony, wtedy kontrolka zapelnienia wodą zgaśnie i osuszacz włączy się.

Zauważ, że jeśli zbiornik nie zostanie prawidłowo włożony, wskaźnik zapelnienia wciąż będzie się świecił na czerwono.

CIĄGŁE ODPROWADZENIE

Jeśli osuszacz jest użytkowany w warunkach wysokiej wilgotności powietrza, zbiornik wody wymagać będzie częstszego opróżniania. W takiej sytuacji znacznie wygodniej jest ustawić ciągłe opróżnianie zbiornika, w tym celu należy wykonać następujące czynności:

1. Usunąć zbiornik wody (FIG. 5).
2. Podłączyć przewód na wodę do otworu wylotowego o średnicy: 11 mm (przewód nie jest dostarczony w komplecie z urządzeniem) (FIG. 6).
3. Upewnij się, że przewód jest właściwie przymocowany i woda ścieka bez przeszkód. Uwaga! W bardzo niskich temperaturach należy dodatkowo zabezpieczyć przewód przed wypadnięciem.
4. Umieść zbiornik wody na jego miejscu.

►► 7. CZYSZCZENIE I KONSERWACJA

Przed wykonaniem konserwacji lub czyszczenia urządzenia

należy je zawsze odłączyć od sieci zasilającej.

CZYSZCZENIE KORPUSU

Aby oczyścić urządzenie, należy użyć miękkiej szmatki. W żadnym wypadku nie należy używać lotnych substancji chemicznych, detergentów, benzyny, ubrań poddanych obróbce chemicznej, lub innych roztworów czyszczących. Każda z tych substancji może uszkodzić obudowę urządzenia.

CZYSZCZENIE FILTRA

Ten model osuszacza wyposażony jest w 2 rodzaje filtrów (FIG. 4):

1. FILTR PRZECIWPYŁOWY

- Zdejmij mocowanie filtra, usuń filtr z aktywnym węglem.
- Delikatnie oczyść filtr za pomocą odkurzacza lub spłukując pod kranem. Jeśli filtr jest bardzo zabrudzony, użyj ciepłej wody i niewielkiej ilości siły.
- Upewnij się, że filtr jest zupełnie suchy przed jego ponownym użyciem.
- Nie należy wystawiać filtra na działanie bezpośredniego światła słonecznego.

2. AKTYWNY FILTR WĘGLOWY (do wiązania cząstek kurzu zawieszonych w powietrzu oraz ograniczania namnażania się bakterii).

Aktywny filtr węglowy znajduje się za filtrem przeciwpyłowym, w przeciwieństwie do niego, nie jest on zmywalny. Trwałość filtra węglowego zależy od warunków środowiskowych w miejscu, gdzie używane jest urządzenie. Filtr należy okresowo sprawdzać i wymieniać w razie potrzeby.

PRZECHOWYWANIE

Jeżeli urządzenie nie jest używane przez dłuższy okres czasu, należy je wyłączyć. Kabel zasilający należy odłączyć i oczyścić:

- ▶ Należy całkowicie opróżnić zbiornik wodny i wytrzeć do czysta.
- ▶ Urządzenie należy przykryć i przechowywać w miejscu, w którym nie będzie narażone na promienie słoneczne.

▶▶ 8. WYKRYWANIE USTEREK

URZĄDZENIE NIE DZIAŁA:

- ▶ Czy urządzenie jest podłączone do sieci?
- ▶ Czy włączona jest elektryczność w domu?
- ▶ Czy temperatura pokojowa wynosi 5°C lub więcej niż 32°C? Jeżeli tak, to jest to temperatura poza zakresem roboczym urządzenia.
- ▶ Należy upewnić się czy humidostat (lub przełącznik ON/OFF) jest załączony.
- ▶ Należy sprawdzić czy zbiornik wodny jest umiejscowiony prawidłowo w urządzeniu i czy nie jest pełny.
- ▶ Należy upewnić się, że wlot i wylot powietrza nie są zablokowane.

URZĄDZENIE WYDAJE SIĘ NIE PRACOWAĆ:

- ▶ Czy filtr jest zapyłony, zabrudzony?
- ▶ Czy wlot powietrza i wylot są zablokowane?
- ▶ Czy wilgotność otoczenia nie jest już zbyt niska?

URZĄDZENIE WYDAJE SIĘ PRACOWAĆ NIEWYDAJNIE:

- ▶ Czy otwartych jest zbyt wiele drzwi i okien?
- ▶ Czy w pomieszczeniu jest coś, co wywołuje dużą wilgotność?

URZĄDZENIE JEST ZBYT HAŁĄŚLIWE:

- ▶ Należy sprawdzić czy urządzenie stoi na równej powierzchni

URZĄDZENIE PRZECIEKA:

- ▶ Należy upewnić się, że urządzenie jest w dobrym stanie technicznym.

СОДЕРЖАНИЕ

1...	ПРИНЦИП ДЕЙСТВИЯ
2...	РАСПОЛОЖЕНИЕ
3...	РЕКОМЕНДАЦИИ ПЕРЕД ПРИМЕНЕНИЕМ
4...	ЧАСТИ
5...	ОБСЛУЖИВАНИЕ
6...	ОТВОД ВОДЫ
7...	ТЕХОБСЛУЖИВАНИЕ И СОДЕРЖАНИЕ
8...	ОБНАРУЖЕНИЕ НЕИСПРАВНОСТЕЙ

ПЕРЕД ПРИМЕНЕНИЕМ ДАННОГО ОБОРУДОВАНИЯ СЛЕДУЕТ ВНИМАТЕЛЬНО ИЗУЧИТЬ ДАННУЮ ИНСТРУКЦИЮ И СОХРАНИТЬ ЕЕ С ЦЕЛЬЮ ДАЛЬНЕЙШЕГО ИСПОЛЬЗОВАНИЯ.

▶▶ 1. ПРИНЦИП ДЕЙСТВИЯ

Данное оборудование предназначено для осушения воздуха. При прохождении воздуха через осушитель, контролируется его относительная влажность, а на охлаждающих элементах конденсируется избыточная влажность. Контакт с холодной поверхностью приводит к конденсации паров воды в воздухе. Далее сконденсированная вода безопасным способом отводится в резервуар для воды. Осушенный воздух проходит через конденсатор, в котором он незначительно подогревается, а далее опять попадает в помещение, причем его температура на выходе немного повышается.

▶▶ 2. РАСПОЛОЖЕНИЕ

Избыток влажности распространится по всему помещению таким же образом, как запах во время приготовления. Поэтому, осушитель должен быть расположен так, чтобы поглощать влажность со всего помещения.

Если в одном месте появится повышенная потребность поглощения влажности, осушитель можно установить вблизи этого места, а позже переставить его в центр помещения.

Во время установки осушителя, следует убедиться, что он расположен на ровной поверхности, а также в том, что с каждой стороны прибора есть 10 см (4") пространства для обеспечения эффективного потока воздуха.

Перед перемещением прибора, его следует выключить, а резервуар для воды опорожнить.

Не рекомендуется использовать удлинитель, в связи с этим следует убедиться, что прибор находится достаточно близко от электрического гнезда. В случае необходимости использования удлинителя, следует убедиться, что диаметр проводов составляет не менее 1 мм².

Во время работы осушителя, в случае необходимости внешние двери и окна должны быть закрыты, чтобы обеспечить максимальную эффективность прибора.

▶▶ 3. РЕКОМЕНДАЦИИ ПЕРЕД ПРИМЕНЕНИЕМ ВНИМАНИЕ!



Символы, размещенные на устройстве, имеют следующее значение:

- ▶ Устройство наполнено пропаном R290. Неукоснительно выполнять указания производителя относительно эксплуатации и ремонта устройства!
- ▶ Прежде чем включить устройство, следует подробно ознакомиться с руководством по эксплуатации.
- ▶ Не устанавливать, не использовать и не хранить устройство в помещении меньшим, чем 4м².

ОБЩИЕ ПРАВИЛА ТЕХНИКИ БЕЗОПАСНОСТИ

- ▶ Осушитель должен находиться в вертикальном положении.
- ▶ После транспортировки устройства либо если оно находилось в наклонном положении (во время чистки), то перед подключением его к электросети следует подождать 12 часов.
- ▶ Устройство устанавливать в вертикальном положении на ровном основании (также во время транспортировки) и на расстоянии не менее 50 см от других предметов.
- ▶ Не использовать устройство в потенциально взрывоопасной атмосфере, содержащей горючие жидкости, газы либо пыль.
- ▶ Не использовать устройство вблизи легковоспламеняющихся, взрывоопасных веществ либо емкостей с топливом. Не распылять вблизи устройства красок, чистящих, инсектицидных и тому подобных средств, так как это может привести к деформации пластиковых элементов либо повреждению электрической инсталляции.
- ▶ Все посторонние предметы следует хранить вдали от входных и выходных отверстий воздуха.
- ▶ Электропитание должно соответствовать спецификации, указанной на информационном щитке на задней стенке прибора.
- ▶ Не устанавливайте на мягкой поверхности.
- ▶ Обеспечьте, чтобы расстояние между сторонами

прибора и любыми воспламеняющимися, нагревающимися материалами составляло не менее 300 мм.

► Подключайте устройство только к надлежащим образом установленной и легкодоступной розетке, чтобы в случае аварийной ситуации можно было быстро вытащить вилку.

► НЕ ЗАГРАЖДАЙТЕ ОТВЕРСТИЯ ДЛЯ ВХОДА И ВЫХОДА ВОЗДУХА.

► НЕ ПОДВЕРГАЙТЕ УСТРОЙСТВО ВОЗДЕЙСТВИЮ ПРЯМЫХ СОЛНЕЧНЫХ ЛУЧЕЙ.

► ДЛЯ ИСПОЛЬЗОВАНИЯ ТОЛЬКО ВНУТРИ ПОМЕЩЕНИЙ.

► НЕ ИСПОЛЬЗУЙТЕ УСТРОЙСТВО В ПРАЧЕЧНЫХ, МОЕЧНЫХ, ВАННЫХ КОМНАТАХ, БАССЕЙНАХ ИЛИ ДРУГИХ СЫРЫХ ПОМЕЩЕНИЯХ.

► НЕ ИСПОЛЬЗУЙТЕ УСТРОЙСТВО В ПРАЧЕЧНОЙ, В ШКАФУ, УБОРНОЙ, НА ЛОДКАХ, В ФУРГОНАХ ИЛИ ДРУГИХ НЕБОЛЬШИХ И ЗАКРЫТЫХ ПРОСТРАНСТВАХ.

► НЕ ИСПОЛЬЗУЙТЕ УСТРОЙСТВО РЯДОМ С ВАННОЙ, ДУШЕМ, РАКОВИНОЙ И ДРУГИМИ ПОДОБНЫМИ ПРЕДМЕТАМИ.

► Защитите осушитель от капель воды и аэрозолей. НЕ ПОЗВОЛЯЙТЕ ЖИДКОСТИ ПОПАДАТЬ ВНУТРЬ УСТРОЙСТВА. Ни в коем случае не наливайте и не разбрызгивайте воду над ним. Ни в коем случае не ставьте на осушитель предметы, наполненные жидкостью, например, вазы.

► Не используйте прибор в местах, где применяют или хранят краски, бензин или другие легковоспламеняющиеся жидкости.

► Не допускайте падения прибора, когда в баке есть вода.

► НЕ СТАВЬТЕ НА ПРИБОР КОНТЕЙНЕР С ЖИДКОСТЬЮ.

► КОНДЕНСИРОВАННАЯ ВОДА НЕ ПРЕДНАЗНАЧЕНА ДЛЯ ПИТЬЕВЫХ ЦЕЛЕЙ ЧЕЛОВЕКА ИЛИ ЖИВОТНЫХ.

► Не кладите шнур под ковры/ковровые покрытия, чтобы можно было регулярно проверять его состояние.

► НЕ ТРОГАЙТЕ ВИЛКУ УСТРОЙСТВА ВЛАЖНЫМИ РУКАМИ.

► Ни в коем случае не используйте шнур устройства в качестве переносного ремня.

► Всегда отключайте устройство от сети и подождите, по крайней мере, один час, прежде чем выполнять техническое обслуживание, транспортировку или очистку устройства.

► Всегда выключайте устройство и доставайте вилку из розетки:

- Если устройство не используется.
- Перед очисткой устройства.
- Перед сборкой аксессуаров.
- Если возникает неисправность.
- В случае грозы, шторма.

► ИЗБЕГАЙТЕ ПЕРЕКРУЧИВАНИЯ, СКРУЧИВАНИЯ, НАТЯЖЕНИЯ СЕТЕВОГО ШНУРА, НИ В КОЕМ СЛУЧАЕ НЕ ИСПОЛЬЗУЙТЕ ПРОВОД В НЕЙЛОНОВОЙ ОПЛЕТКЕ ИЛИ СТАЛЬНОЙ ПРОВОД ДЛЯ ЗАМЕНЫ СЕТЕВОГО ШНУРА.

► НЕ ИСПОЛЬЗУЙТЕ ШНУРЫ-УДЛИНИТЕЛИ.

► ПРИБОР ДОЛЖЕН УСТАНОВЛИВАТЬСЯ В СООТВЕТСТВИИ С НАЦИОНАЛЬНЫМИ НОРМАТИВАМИ

И ПРАВИЛАМИ МОНТАЖА ЭЛЕКТРОПРОВОДКИ.

► НИ В КОЕМ СЛУЧАЕ НЕ ПЫТАЙТЕСЬ ДОСТАТЬ ПРИБОР, ЕСЛИ ОН УПАЛ В ВОДУ. В ТАКОМ СЛУЧАЕ НЕМЕДЛЕННО ДОСТАНЫТЕ ВИЛКУ ИЗ РОЗЕТКИ. ПРЕЖДЕ ЧЕМ СНОВА ИСПОЛЬЗОВАТЬ УСТРОЙСТВО, ПРОВЕРЬТЕ ЕГО.

► Если провод питания поврежден, во избежание угрозы его должен заменить авторизованный представитель сервисного обслуживания или лицо с соответствующими квалификациями.

► Для включения и выключения прибора, ни в коем случае не следует пользоваться штепсельной вилкой. Всегда следует пользоваться выключателем на панели управления.

► Перед перемещением прибора, его следует сначала выключить и опорожнить резервуар для воды.

► Не следует применять аэрозолей и других легковоспламеняющихся чистящих средств.

► Ни в коем случае прибор нельзя поливать или обрызгивать водой.

► Предохранять устройство от брызг.

► Следить за детьми и домашними животными, находящимися вблизи работающего устройства.

► НЕ РАЗРЕШАТЬ ДЕТЯМ ИГРАТЬ С УСТРОЙСТВОМ.

► Дети не могут заниматься чисткой и консервацией устройства без присмотра взрослых лиц.

► Не оставлять работающее устройство без присмотра.

► Нельзя перемещать устройство, держа его за сетевой кабель.

► Следует проследить за тем, чтобы штепсельная вилка и электрическая розетка находились на видном и хорошо доступном месте.

► Не превышать величины помещения, рекомендуемой для максимальной производительности устройства.

► Закрывать двери и окна.

► В случае слишком яркого солнечного света следует закрыть шторы либо опустить жалюзи.

► Следует поддерживать чистоту фильтров.

► Не включать устройство, если оно, сетевой кабель либо штепсельная вилка повреждены, если устройство работает ненормально либо на лицо симптомы другой неполадки. Передать комплектное устройство продавцу либо электрику, обладающему соответствующей квалификацией с целью его проверки либо ремонта. Применять только оригинальные запчасти. Разбирать и/или ремонтировать устройство (вместе с сетевым кабелем и штепсельной вилкой) может исключительно уполномоченное и соответственно квалифицированное лицо.

► Рекомендуется периодически выполнять сервисное обслуживание и техосмотры устройства.

► РАЗБИРАТЬ ЛИБО МОДИФИЦИРОВАТЬ УСТРОЙСТВО МОЖЕТ ИСКЛЮЧИТЕЛЬНО АТТЕСТОВАННЫЙ РАБОТНИК СЕРВИСНОГО ЦЕНТРА.

► УСТРОЙСТВО МОЖЕТ ИСПОЛЬЗОВАТЬСЯ ТОЛЬКО ПО НАЗНАЧЕНИЮ. ИСПОЛЬЗОВАНИЕ ЕГО С ДРУГОЙ ЦЕЛЬЮ СЧИТАЕТСЯ НЕПРАВИЛЬНЫМ ПРИМЕНЕНИЕМ. ЗА ВСЯЧЕСКИЕ ПОВРЕЖДЕНИЯ ЛИБО ТРАВМЫ, ПОЛУЧЕННЫЕ ВСЛЕДСТВИЕ ТАКОГО ДЕЙСТВИЯ, ОТВЕТСТВЕННОСТЬ НЕСЕТ ПОЛЬЗОВАТЕЛЬ, А НЕ ИЗГОТОВИТЕЛЬ УСТРОЙСТВА.

► Перед перемещением прибора, его следует сначала выключить и опорожнить резервуар для воды.

▶ ДАННОЕ ОБОРУДОВАНИЕ НЕ МОЖЕТ ОБСЛУЖИВАТЬСЯ ЛИЦАМИ(ВКЛЮЧАЯ ДЕТЕЙ) С ОГРАНИЧЕННЫМИ ФИЗИЧЕСКИМИ, РЕЦЕПТОРНЫМИ ИЛИ УМСТВЕННЫМИ СПОСОБНОСТЯМИ, ЛИБО ЛИЦАМИ, НЕ ИМЕЮЩИМИ НЕОБХОДИМОГО ОПЫТА И НЕ ПРОШЕДШИМИ СПЕЦИАЛЬНОГО ОБУЧЕНИЯ У ЛИЦ, НЕСУЩИХ ОТВЕТСТВЕННОСТЬ ЗА ИХ БЕЗОПАСНОСТЬ. СЛЕДУЕТ СЛЕДИТЬ ЗА ТЕМ, ЧТОБЫ ДЕТИ НЕ ИГРАЛИ С ОБОРУДОВАНИЕМ.

▶ РЕКОМЕНДУЕТСЯ ПЕРИОДИЧЕСКИ ПРОВОДИТЬ ПРОФЕССИОНАЛЬНОЕ ТЕХНИЧЕСКОЕ ОБСЛУЖИВАНИЕ.

▶▶ ПРАВИЛА ТЕХНИКИ БЕЗОПАСНОСТИ ПО ОТНОШЕНИЮ К ХЛАДАГЕНТУ R290:

▶ Следует тщательно ознакомиться с нижеуказанными предостережениями.

▶ Устройство содержит хладагент R290. Хладагент R290 соответствует установленным Директивам Европейского Союза. Нельзя дырявить охлаждающую систему. Хладагент R290 является легковоспламеняющимся веществом (GWP3)!

▶ Не использовать средства для ускорения размораживания либо чистки устройства, не рекомендованные производителем.

▶ Устройство хранить в помещении, где отсутствуют постоянные источники возгорания (например открытый огонь, работающее газовое устройство либо работающий электрический нагреватель).

▶ Не пробивать и не отапливать элементы системы охлаждения устройства. Не направлять свет непосредственно на устройство.

▶ Устройство складировать таким образом, чтобы оно не подверглось механическому повреждению.

▶ Оборудование следует устанавливать, использовать и хранить в помещении площадью более 4м².

▶ Хладагент может не иметь запаха, что затрудняет обнаружение утечки.

▶ Следует соблюдать национальные нормы и правила использования газового топлива.

▶ Не следует заслонять вентиляционные отверстия.

▶ Устройство хранить в хорошо вентилируемом помещении, имеющем размеры, соответствующие технической спецификации устройства.

▶ Каждое лицо, занимающееся эксплуатацией либо ремонтом системы охлаждения, должно иметь действительный сертификат, выданный соответствующей технической институцией, удостоверяющий компетенцию этого лица в вопросах безопасной эксплуатации хладагентов согласно принятым нормам и правилам.

▶ Сервисное обслуживание следует выполнять исключительно в соответствии с указаниями производителя устройства. Сервисные и ремонтные работы, требующие присутствия квалифицированного сервисного персонала, следует выполнять под надзором лица, имеющего соответствующую компетентность в вопросах использования легковоспламеняющихся хладагентов.

ВАЖНО!

Прибором не следует пользоваться при температуре ниже 5°C, чтобы исключить оледенение испарителя.

▶▶ 4. ЧАСТИ

▶ Передняя часть FIG. 1

1. Панель управления
2. Выход воздуха
3. Передняя панель
4. Задняя панель

▶ Задняя часть FIG. 2

5. Вход воздуха / Фильтры
6. Резервуар для воды
7. Ручка

▶▶ 5. ОБСЛУЖИВАНИЕ

▶ Панель управления FIG. 3

1. Индикатор питания
2. Кнопка ON/OFF (питание)
3. Индикатор «Уровень заполнения водой»
4. Кнопка настройки уровня влажности
5. Индикатор режима работы (непрерывный, влажность 40%, 50%, 60%, 70%)
6. Индикатор работы таймера
7. кнопка ВРЕМЯ

▶ ОБСЛУЖИВАНИЕ

1. Подключите устройство к соответствующей сети питания. (Необходимо проверить напряжение/частоту на заводской табличке прибора).

2. Нажмите кнопку ON/OFF, чтобы включить устройство. Загорится индикатор питания и компрессор начнет работать.

3. Нажмите кнопку настройки уровня влажности, чтобы выбрать режим работы: непрерывный, уровень влажности 40%, 50%, 60% или 70%. Загорится соответствующий индикатор для данного значения.

4. Нажмите кнопку ВРЕМЯ, чтоб настроить необходимое время работы. Над кнопкой TIMER (ТАЙМЕРА) находятся 4 индикатора времени: 1Н, 2Н, 4Н, 8Н часов, однако рабочие часы могут суммироваться, поэтому можно устанавливать не только 4 разных часа работы. Например, выберите одновременно 1Н и 2Н часа, устройство будет работать непрерывно в течение 3 часов, выберите одновременно 1Н, 2Н и 4Н часа, оно будет работать 7 часов. Таким образом, максимальное количество часов работы, которое можно установить, составляет 15 часов, в случае если горят все эти 4 индикатора времени. По истечении указанного времени компрессор автоматически выключится.

5. Чтобы выключить устройство, нажмите кнопку ON/OFF.

6. Функция предварительной настройки включения (PRE-SET), при помощи кнопки ВРЕМЯ без включения каких-либо других функций устройства (также кнопки ON/OFF), можно запрограммировать время включения устройства / Например, если настроить время на 2Н, устройство автоматически включится через 2 часа.

▶▶ 6. ОТВОД ВОДЫ

Если резервуар с водой заполнен, компрессор автоматически выключится в целях безопасности, а индикатор уровня воды загорится красным цветом.

Чтоб вынуть резервуар с водой его следует выдвинуть перпендикулярно из устройства.

После удаления из резервуара воды, его следует установить обратно. Проверьте правильность его установки - лампочка, сигнализирующая о заполненности резервуара водой, погаснет и включится осушитель воздуха.

Обратите внимание, если резервуар будет установлен неправильно, индикатор уровня воды будет гореть красным светом.

НЕПРЕРЫВНЫЙ ОТВОД

Если осушитель воздуха используется в условиях высокой влажности воздуха, резервуар с водой необходимо чаще опорожнять. В этом случае более удобно будет предусмотреть постоянное опорожнение резервуара, для этого необходимо выполнить следующие действия:

1. Выньте резервуар с водой (Рис. 5).
2. Подсоедините водопровод к выпускному отверстию диаметром: 11 мм (провод не поставляется в комплекте с устройством) (Рис. 6).
3. Проверьте, чтобы провод был правильно закреплен и вода вытекала без препятствий. Внимание! При очень низких температурах необходимо дополнительно защитить провод от замерзания.
4. Вставьте резервуар с водой обратно в устройство.

►► 7. ТЕХОБСЛУЖИВАНИЕ И СОДЕРЖАНИЕ

Перед проведением техобслуживания или очистки осушитель следует всегда отключать от сети электропитания.

ОЧИСТКА КОРПУСА

Для очистки осушителя следует пользоваться мягкой салфеткой.

Ни в коем случае не следует применять легко улетучивающиеся химические вещества, детергенты, бензин, одежду после химической обработки или другие чистящие растворы. Каждое из этих веществ может повредить корпус прибора.

ОЧИСТКА ФИЛЬТРА

Данная модель осушителя воздуха оборудована двумя видами фильтров (FIG. 4):

1. ПРОТИВОПЫЛЬНЫЙ ФИЛЬТР

- Снимите крепление фильтра, выньте фильтр с активным углем.
- Аккуратно очистите фильтр при помощи пылесоса или промойте его под проточной водой. Если фильтр очень загрязнен, промойте его при помощи теплой воды и небольшого количества неагрессивного моющего средства.
- Убедитесь, что фильтр полностью сухой, перед его повторным использованием.
- Необходимо избегать воздействия прямых солнечных лучей на фильтр.

2. АКТИВНЫЙ УГОЛЬНЫЙ ФИЛЬТР (для связывания частиц пыли, содержащейся в воздухе, а также предотвращения размножения бактерий).

Активный угольный фильтр расположен за противопылевым фильтром, в отличие от него, его нельзя мыть. Срок службы угольного фильтра зависит от условий окружающей среды в месте, в котором работает устройство. Фильтр необходимо периодически проверять и заменять в случае необходимости.

ХРАНЕНИЕ

Если осушитель не будет эксплуатироваться в течение длительного периода, его следует выключить. Провод электропитания следует отключить и очистить:

- Резервуар для воды следует полностью опорожнить и вытереть насухо.
- Прибор следует прикрыть и хранить в месте, где нет воздействия прямых солнечных лучей.

►► 8. ОБНАРУЖЕНИЕ НЕИСПРАВНОСТЕЙ

ОСУШИТЕЛЬ НЕ РАБОТАЕТ:

- Подключено ли оборудование к сети?
- Включено ли электропитание в здании/помещении?
- Не превышает ли комнатная температура диапазон 5°C - 32°C? Если превышает, то осушитель не может работать в таких условиях.
- Следует убедиться, что гигростат (или переключатель ON/OFF) включен.
- Следует проверить, расположен ли резервуар для воды в осушителе правильно и не переполнен ли он.
- Следует убедиться, что вход и выход воздуха не заблокированы.

ОСУШИТЕЛЬ ВОЗМОЖНО НЕ РАБОТАЕТ:

- Не загрязнен ли фильтр?
- Заблокирован ли вход и выход воздуха?
- Не слишком ли низкая влажность окружающей среды?

ОСУШИТЕЛЬ ОБНАРУЖИВАЕТ ПРИЗНАКИ НЕ ЭФФЕКТИВНОЙ РАБОТЫ:

- Открыты ли окна и двери?
- Есть ли в помещении объект, вызывающий большую влажность?

ОСУШИТЕЛЬ РАБОТАЕТ СЛИШКОМ ГРОМКО:

- Следует проверить, расположен ли прибор на ровной поверхности

ОСУШИТЕЛЬ ПРОТЕКАЕТ:

- Следует убедиться, что оборудование находится в хорошем техническом состоянии.

NÁVOD K OBSLUZE

1...	FUNKCE
2...	UMÍSTĚNÍ
3...	DOPORUČENÍ PŘED POUŽITÍM
4...	SOUČÁSTI
5...	OBSLUHA
6...	ODVOD VODY
7...	ÚDRŽBA A ČIŠTĚNÍ
8...	ZJIŠŤOVÁNÍ ZÁVAD

PŘED POUŽITÍM TOHOTO ZAŘÍZENÍ JE NUTNÉ DŮKLADNĚ SE SEZNÁMIT S NÁVODEM A USCHOVAT JEJ PRO BUDOUCÍ POUŽITÍ.

►► 1. FUNKCE

Toto zařízení je určeno k vysoušení vzduchu. Kontrola relativní vlhkosti probíhá průtokem vzduchu přes zařízení, který způsobuje zkapalnění přebytku vlhkosti na chladicích částech. Kontakt se studeným povrchem způsobuje zkapalnění vlhkosti ve vzduchu. Potom zkapalněná voda je bezpečně odvedená do zásobníku na vodu. Vysušený vzduch proudí výparníkem, v němž se nepatrně ohřívá, a potom je opětovně veden do místnosti, přičemž jeho teplota je nepatrně vyšší.

►► 2. UMÍSTĚNÍ

Nadbytek vlhkosti se bude šířit po celém domě stejným způsobem, jakým se šíří vůně v místnosti během vaření. Z tohoto důvodu musí být odvlhčovač umístěn tak, aby mohl pohlcovat vlhký vzduch v celém domě. Je zde možnost, pokud se na jednom místě vyskytne vážný problém, umístit odvlhčovač poblíž tohoto místa a potom jej přenést blíže k centrálnímu bodu.

Během ustavování odvlhčovače je třeba se ujistit, že je umístěn na rovném povrchu a z každé strany zařízení je 10 cm (4") volného prostoru pro účinný průtok vzduchu.

Před přemístěním je třeba jej odpojit a zásobník na vodu vyprázdnit.

Nedoporučuje se používat prodlužovací kabel, a proto je třeba se ujistit, že se zařízení nachází v blízkosti zásuvky. V případě nutnosti použití prodlužovacího kabelu je třeba se ujistit, že minimální průřez kabelu je 1 mm². Během práce odvlhčovače v nutném případě musí být vnější dveře a okna zavřeny pro zajištění maximální účinnosti zařízení.

►► 3. DOPORUČENÍ PŘED POUŽITÍM UPOZORNĚNÍ!



Symbole nacházející se na zařízení mají následující význam:
► Zařízení je naplněno propanem R290. Je nutné bezpodmínečně dodržovat pokyny výrobce v oblasti obsluhy a oprav zařízení!

► Před spuštěním zařízení se důkladně seznámete s návodem k obsluze.

► Zařízení neinstalujte, nepoužívejte ani neskladujte v místnosti menší než 4 m².

OBECNÁ BEZPEČNOSTNÍ OPATŘENÍ

► Zařízení musí být vždy v kolmé poloze.

► Po přepravě nebo překlacení zařízení (např. při čištění) vyčkejte po dobu 12 hodin, než jej opět zapnete.

► Zařízení umísťte na rovný podklad do svislé polohy (platí také během přepravy) a ve vzdálenosti alespoň 50 cm od jiných předmětů.

► Zařízení nesmí být používáno v potenciálně výbušném prostředí obsahujícím hořlavé kapaliny, plyny nebo prach.

► Zařízení nepoužívejte v blízkosti vysoce hořlavých nebo výbušných látek či paliv. V blízkosti zařízení nerozprašujte barvy, čisticí prostředky, insekticidní přípravky ani podobné látky, protože by to mohlo způsobit deformaci platových částí nebo poškození elektroinstalace.

► Všechna cizí tělesa musí být ve větší vzdálenosti od otvorů pro přívod a odvod vzduchu.

► Napájecí napětí musí být shodné s tím, které je uvedeno na výkonovém štítku na zadní straně zařízení.

► Nepokládejte na měkké povrchy.

► Zajistěte, aby mezi bočními stranami zařízení a hořlavými, teplo vydávajícími látkami byla mezera alespoň 300 mm.

► Jednotku připojte pouze k řádně nainstalované a dobře dostupné zásuvce, z níž můžete v případě ohrožení rychle zástrčku vytáhnout.

► DBEJTE NA TO, ABY BYL VSTUP A VÝSTUP VZDUCHU VŽDY VOLNÝ.

► JEDNOTKU NEVYSTAVUJTE PŘÍMÉMU SLUNCI.

- ▶ POUZE PRO POUŽITÍ UVNITŘ BUDOV.
- ▶ JEDNOTKU NEPOUŽÍVEJTE V PRÁDELNĚ, KOUPELNÁCH, NA KOUPALÍŠTÍCH, VE SPRCHÁCH A NA PODOBNÝCH VLHKÝCH MÍSTECH.
- ▶ JEDNOTKU NEPOUŽÍVEJTE V PRÁDELNĚ, VE SKŘÍNI, V KOMOŘE, NA ČLUNECH, V KARAVANECH ANI V JINÝCH MALÝCH A UZAVŘENÝCH PROSTORÁCH.
- ▶ JEDNOTKU NEPOUŽÍVEJTE V BLÍZKOSTI VANY, SPRCHY, DŘEZU A NA PODOBNÝCH MÍSTECH.
- ▶ Odvlhčovač chraňte před kapkami vody a vodní tříští. ZAJISTĚTE, ABY SE DO JEDNOTKY NEDOSTALA ŽÁDNÁ KAPALINA. Chraňte jej pře politím nebo postříkáním vodou. Na horní stranu odvlhčovače nikdy nepokládejte předměty naplněné kapalinou, například vázy.
- ▶ Zařízení nepoužívejte v místnostech, kde se používají nebo skladují náterové hmoty, benzín nebo jiné hořlavé kapaliny.
- ▶ Dbejte na to, aby se zařízení nepřevrátilo, když je v nádobě voda.
- ▶ NÁDOBU S KAPALINOU NIKDY NEPOKLÁDEJTE NA HORNÍ STRANU JEDNOTKY.
- ▶ KONDENZOVANÁ VODA NENÍ VHODNÁ K PITÍ PRO OSOBY ANI ZVÍŘATA.
- ▶ Přívodní kabel nepokládejte pod koberec nebo rohožku, abyste mohli pravidelně kontrolovat jeho stav.
- ▶ NEDOTÝKEJTE SE ZÁSTRČKY MOKRÝMA RUKAMA.
- ▶ Nikdy nepoužívejte kabel jednotky jako nosný popruh.
- ▶ Před prováděním údržby nebo čištěním jednotky nebo před přemísťováním zařízení vždy odpojte od sítě a alespoň hodinu počkejte.
- ▶ Jednotku vypněte a vytáhněte zástrčku ze zásuvky:
 - Pokud jednotku nepoužíváte.
 - Před čištěním jednotky.
 - Před montáží příslušenství.
 - Pokud dojde k závadě.
 - V případě bouřky.
- ▶ DBEJTE NA TO, ABY SE NAPÁJECÍ KABEL NEPŘETOČIL, NEVYTVOŘILA SE NA NĚM SMYČKA A NEDOŠLO K VYTAŽENÍ; K PŘIVÁZÁNÍ NAPÁJECÍHO KABELU NIKDY NEPOUŽÍVEJTE NYLON NEBO OCELOVÝ DRÁT.
- ▶ NEPOUŽÍVEJTE PRODLUŽOVACÍ ŠŤŮRY.
- ▶ ZAŘÍZENÍ BUDE NAINSTALOVÁNO V SOULADU S NÁRODNÍMI PŘEDPISY PRO ELEKTROINSTALACI
- ▶ POKUD ZAŘÍZENÍ SPADNE DO VODY, NIKDY NA NĚJ NESAHEJTE A NEVYTAHUJTE JEJ. V TAKOVÉM PŘÍPADĚ ZÁSTRČKU OKAMŽITĚ VYTÁHNĚTE ZE ZÁSUVKY. NEŽ BUDETE JEDNOTKU ZNOVU POUŽÍVAT, NECHEJTE JI ZKONTROLOVAT.
- ▶ Pokud je poškozen napájecí kabel, může jej vyměnit

oprávněný servisní pracovník nebo osoba s příslušnou kvalifikací.

- ▶ Pro zapnutí a vypnutí zařízení se v žádném případě nemá používat zástrčka.
- ▶ Vždy je třeba používat spínač na ovládacím panelu.
- ▶ Pro zapnutí a vypnutí zařízení se v žádném případě nemá používat zástrčka.
- ▶ Vždy je třeba používat spínač na ovládacím panelu.
- ▶ Nesmí se používat rozprašovače proti hmyzu nebo jiné lehce hořlavé materiály.
- ▶ Zařízení se nesmí v žádném případě polévat nebo stříkat vodou.
- ▶ Chraňte před postříkáním.
- ▶ Děti a domácí zvířata pohybující se v blízkosti funkčního zařízení neopouštějte bez dozoru.
- ▶ NEDOVOLTE, ABY SI DĚTI SE ZAŘÍZENÍM HRÁLY.
- ▶ Děti nesmějí zařízení čistit ani vykonávat jeho údržbu bez dozoru dospělé osoby.
- ▶ Funkční zařízení neopouštějte bez dozoru.
- ▶ Netahejte zařízení za napájecí kabel.
- ▶ Dbejte na to, aby se elektrická zásuvka i zástrčka nacházely na viditelném a dobře přístupném místě.
- ▶ Nepřekračujte doporučenou velikost místnosti uvedenou pro maximální výkon zařízení.
- ▶ Zavřete okna a dveře.
- ▶ V případě vystavení silnému slunečnímu záření zatáhněte závěsy nebo stáhněte žaluzie.
- ▶ Dbejte o čistotu filtrů.
- ▶ Nespouštějte zařízení, jestliže jsou zařízení, napájecí kabel nebo zástrčka poškozeny, zařízení nefunguje správně nebo se na něm vyskytují jiné známky poruchy. Zařízení ke kontrole a/nebo opravě předejte v kompletním stavu prodejci nebo elektrotechnikovi, který disponuje příslušnými oprávněními. Používejte výhradně originální náhradní díly. Zařízení (včetně napájecího kabelu a zástrčky) může být demontováno a/nebo opravováno výhradně oprávněnou a kvalifikovanou osobou.
- ▶ Doporučujeme provádět pravidelný servis a prohlídky zařízení.
- ▶ ZAŘÍZENÍ MŮŽE DEMONTOVAT NEBO UPRAVOVAT VÝHRADNĚ CERTIFIKOVANÝ SERVISNÍ TECHNIK.
- ▶ ZAŘÍZENÍ MŮŽE BÝT POUŽÍVÁNO VÝHRADNĚ V SOULADU S JEHO URČENÍM. JEHO POUŽÍVÁNÍ K JINÝM ÚČELŮM BUDE POVAŽOVÁNO ZA NEVHODNÉ POUŽITÍ. ZA VŠECHNA POŠKOZENÍ NEBO ZRANĚNÍ, KTERÁ BUDOU DŮSLEDKEM TAKOVÉHO POČÍNÁNÍ, JE ZODPOVĚDNÝ UŽIVATEL, NIKOLIV VÝROBCE ZAŘÍZENÍ.
- ▶ Před přemísťováním je třeba zařízení nejdříve odpojit a potom vypustit vodu ze zásobníku.
- ▶ TENTO PŘÍSTROJ NESMÍ OVLÁDAT OSOBY (VČETNĚ DĚTÍ) S OMEZENÝMI FYZICKÝMI, SMYSLOVÝMI NEBO MENTÁLNÍMI SCHOPNOSTMI ANI OSOBY BEZ ZKUŠENOSTÍ, KTERÉ NEBYLY VYŠKOLENY OSOBOU ODPOVĚDNOU ZA JEJICH BEZPEČNOST. HLÍDEJTE DĚTI, ABY SI S PŘÍSTROJEM NEHRÁLY.
- ▶ DOPORUČUJEME PRAVIDELNOU PROFESIONÁLNÍ ÚDRŽBU JEDNOTKY.

▶▶ BEZPEČNOSTNÍ OPATŘENÍ TÝKAJÍCÍ SE CHLADÍČÍHO MÉDIA R290:

- ▶ Důkladně se seznamte s níže uvedenými varováními.

► Zařízení obsahuje chladicí médium R290. Chladicí médium R290 odpovídá směrnici Evropské unie. Nepronázejte otvory do chladicího systému. Chladicí médium R290 je vysoce hořlavou látkou (GWP3)!

► Nepoužívejte jiná zařízení nebo přípravky pro urychlení odmrázování nebo čištění zařízení, než ta, která byla doporučena výrobcem.

► Zařízení skladujte v místnosti bez trvalých zdrojů hoření (např. otevřený oheň, funkční plynové zařízení nebo funkční elektrické topné těleso).

► Nepronázejte ani neopalujte součásti chladicího systému zařízení. Nesměřujte světlo přímo na zařízení.

► Zařízení uchovávejte tak, aby nemohlo dojít k mechanickému poškození.

► Zařízení musí být nainstalováno, používáno a skladováno v místnosti, jejíž podlahová plocha je větší než 4m².

► Chladicí médium může být bez zápachu, což komplikuje zjišťování netěsností systému.

► Dodržujte národní normy a předpisy týkající se plyných paliv.

► Nezakrývejte ventilační otvory.

► Zařízení uchovávejte v dobře větrané místnosti, jejíž velikost bude odpovídat technické specifikaci zařízení.

► Každá osoba, která bude zajišťovat obsluhu nebo opravy chladicího systému, musí mít platný certifikát vydaný příslušnou technickou institucí, který potvrzuje kompetence takové osoby v oblasti bezpečné obsluhy chladicích médií v souladu s platnými normami a předpisy.

► Servisní úkony je nutné provádět výhradně v souladu s pokyny výrobce zařízení. Obsluhu a opravy, které vyžadují přítomnost kvalifikovaného servisního personálu, je nutné provádět pod dohledem osoby, která k tomu má odpovídající kompetence v oblasti používání vysoce hořlavých chladicích médií.

DŮLEŽITÉ!

Zařízení nelze používat při pokojové teplotě nižší než 5°C, aby nedošlo k námraze na výparníkovém hadu.

►► 4. SOUČÁSTI

► Přední strana FIG. 1

1. Ovládací panel
2. Výstup vzduchu
3. Přední panel
4. Zadní panel

► Zadní strana FIG. 2

5. Přívod vzduchu / Filtry
6. Zásobník na vodu
7. Madlo

►► 5. OBSLUHA

► Ovládací panel FIG. 3

1. Signalizace napájení
2. Tlačítko ON/OFF (napájení)
3. Signalizace „Naplnění vodou“
4. Tlačítko pro nastavení vlhkosti

5. Signalizace provozního režimu (nepřetržitý, vlhkost 40%, 50%, 60%, 70%)

6. Signalizace práce časovače

7. Tlačítko HODINY

► OBSLUHA

1. Přístroj zapojte do správné elektrické zásuvky. (Zkontrolujte hodnoty napětí/frekvence na výrobním štítku přístroje).

2. Pro spuštění přístroje stiskněte tlačítko ON/OFF. Ukazatel napájení se rozsvítí a spustí se kompresor.

3. Pro výběr provozního režimu stiskněte tlačítko nastavení vlhkosti. Na výběr jsou režimy - nepřetržitý, vlhkost 40%, 50%, 60% nebo 70%. Rozsvítí se příslušná kontrolka pro danou hodnotu.

4. Stiskněte tlačítko HODINY pro nastavení očekávané doby práce. Nad tlačítkem TIMER jsou 4 ukazatele času: 1H, 2H, 4H hodiny a 8 hodin; dobu, kdy zařízení pracuje, je možno akumulovat, takže je možno nastavit i jinou dobu. Například můžeme současně zvolit 1H a 2H hodiny, takže jednotka bude pracovat nepřetržitě 3 hodiny, nebo zvolit 1H, 2H a 4H hodiny, takže bude pracovat 7 hodin. Maximální pracovní dobu zařízení je však možno nastavit na 15 hodin, a to v případě, že se rozsvítí všechny 4 indikátory.

Po uplynutí nastaveného počtu hodin se kompresor automaticky vypne.

5. Pro vypnutí přístroje stiskněte tlačítko ON/OFF.

6. Funkce nastavitelného zapnutí (PRE-SET) - pomocí tlačítka HODINY bez spuštění jakýchkoli dalších funkcí přístroje (včetně tlačítka ON/OFF) lze nastavit čas zapnutí přístroje/ Například pokud nastavíte hodiny na 2H, přístroj se automaticky spustí po 2 hodinách.

►► 6. ODVOD VODY

Je-li vodní nádržka naplněna, kompresor se z bezpečnostních důvodů automaticky vypne a signalizace naplnění vodou se rozsvítí červeně.

Chcete-li nádržku vyjmout, vysuňte ji kolmo z přístroje. Po vyprázdnění zasuňte nádržku zpět na její místo. Ujistěte se, že je správně umístěna - kontrolka naplnění vodou zhasne a vysoušeč se zapne.

Všimněte si, že pokud nádržka není vložena správně, signalizace naplnění vodou bude dále svítit červeně.

PLYNULÝ ODVOD

Je-li vysoušeč používán při vysoké vlhkosti vzduchu, vodní nádržku bude nutno vyprazdňovat častěji. V tomto případě je značně pohodlnější nastavit nepřetržitě vyprazdňování nádržky. Chcete-li tak učinit, proveďte následující:

1. Vyjměte vodní nádržku (Obr. 5).
2. Vodní hadici zapojte do výstupního otvoru o průměru: 11 mm (hadice není součástí balení) (Obr. 6).

3. Ujistěte se, že je hadice správně připevněná a voda bez problémů odtéká. Pozor! Při velmi nízkých teplotách je potřeba provést další zabezpečení hadice proti zamrznutí.

4. Nádržku vložte na její místo.

►► 7. ÚDRŽBA A ČIŠTĚNÍ

Před provedením údržby a čištění zařízení je třeba jej vždy odpojit od napájecí sítě.

ČIŠTĚNÍ TĚLESA ZAŘÍZENÍ

K vyčištění zařízení je třeba použít měkký hadřík. V žádném případě se nemají používat plynné chemické substance, detergenty, benzín, chemicky ošetřené oblečení nebo jiné čisticí roztoky. Každá z těchto látek může poškodit plášť zařízení.

ČIŠTĚNÍ FILTRU

Tento model vysoušeče je vybaven 2 typy filtrů (FIG. 4):

1. PRACHOVÝ FILTR

- Sundejte držák filtru, odstraňte filtr z aktivním uhlíkem.

- Filtr jemně vyčistěte pomocí vysavače nebo opláchnutím pod kohoutkem vodovodu. Je-li filtr silně znečištěný, použijte teplou vodu a malé množství detergentu.

- Před opětovným použitím se ujistěte, že je filtr zcela suchý.

- Filtr nevystavujte přímému slunečnímu světlu.

2. AKTIVNÍ UHLÍKOVÝ FILTR (pro vázání částic prachu rozvířených ve vzduchu a omezení množení bakterií).

Aktivní uhlíkový filtr se nachází za prachovým filtrem a na rozdíl od něj není omývatelný. Životnost uhlíkového filtru závisí na podmínkách prostředí, ve kterém se přístroj používá. Filtr je nutno pravidelně kontrolovat a v případě potřeby měnit.

ÚSCHOVA

Pokud zařízení nebude delší dobu používáno, je třeba jej odpojit. Napájecí kabel je třeba odpojit a očistit:

► Zásobník na vodu je třeba úplně vyprázdnit a vytřít dočista.

► Zařízení je třeba přikrýt a uchovávat na místě chráněném před slunečními paprsky.

►► 8. ZJIŠŤOVÁNÍ ZÁVAD

ZAŘÍZENÍ NEFUNGUJE:

► Je zařízení připojeno k napájecí síti?

► Je připojený v domě elektrický proud?

► Má pokojová teplota 5°C nebo více než 32°C? Pokud ano, jedná se o teplotu mimo pracovní rozsah zařízení.

► Je třeba se ujistit, zda hygrost (nebo přepínač ON/OFF) je zapnut.

► Je třeba se ujistit, zda zásobník na vodu je správně ustaven v zařízení a zda není plný.

► Je třeba se ujistit, že ventilační otvory nejsou zablokovány.

ZDÁ SE, ŽE ZAŘÍZENÍ NEPRACUJE:

► Není filtr zaprášený nebo špinavý?

► Nejsou ventilační otvory zablokovány?

► Není vlhkost okolí již příliš nízká?

ZDÁ SE, ŽE ZAŘÍZENÍ NEPRACUJE EFEKTIVNĚ :

► Není otevřeno příliš mnoho dveří a oken?

► Není v místnosti něco, co způsobuje velkou vlhkost?

ZAŘÍZENÍ JE PŘÍLIŠ HLUČNÉ:

► Je třeba zkontrolovat, zda zařízení stojí na rovném povrchu

ZE ZAŘÍZENÍ VYTÉKÁ VODA:

► Je třeba se ujistit, že zařízení je v dobrém technickém stavu.



CE CONFORMITY CERTIFICATE - DICHIARAZIONE DI CONFORMITÀ CE - EG-KONFORMITÄT SERKLÄRUNG - DECLARACIÓN DE CONFORMIDAD CE - DECLARATION DE CONFORMITE CE - EG-CONFORMITEITVERKLARING - DECLARAÇÃO DE CONFORMIDADE CE - EU-OVERENSSTEMMELSESERKLÆRING - EY-VAATIMUSTENMUKAISUUSVAKUUTUS - CE-SAMSVARERKLÆRING - EG-FÖRSÄKRAN OM ÖVERENSSTÄMMELSE - DEKLARACJA ZGODNOŚCI WE - ДЕКЛАРАЦИЯ О СООТВЕТСТВИИ CE - PROHLÁŠENÍ O SHODĚ CE - EK MEGFELELŐSÉGI NYILATKOZAT - IZJAVA O SKLADNOSTI IN OZNAKA CE - CE UYGUNLUK BEYANI - IZJAVA CE O SUKLADNOSTI - ES ATITIKTIES DEKLARACIJA - EK ATBILSTĪBAS - DEKLARĀCIJA - EÜ VASTAVUSDEKLARATSIOON - DECLARAȚIE DE CONFORMITATE CE - PREHLÁSENIE O ZHODE CE - ДЕКЛАРАЦИЯ ЗА СЪВМЕСТИМОСТ CE - ДЕКЛАРАЦІЯ ВІДПОВІДНОСТІ CE - IZJAVA CE O PRIKLADNOSTI ΔΗΛΩΣΗ ΣΥΜΜΟΡΦΩΣΗΣ CE - CE 符合性声明

Dantherm Sp. z o.o. - ul. Magazynowa 5a, 62-023 Gądkki, Poland

Product: - Prodotto: - Produkt: - Producto: - Produit: - Product: - Produto: - Produkt: - Tuote: - Produkt: - Produkt: - Produkt: - Изделие: - Výrobek: - Termék: - Izdelek: - Ürün: - Proizvod: - Gaminys: - Ierīce: - Toode: - Produsul: - Výrobok: - Продукт: - Виріб: - Proizvod: - Προϊόν: - 产品:

DH 712 P

We declare that it is compliant with: - Si dichiara che è conforme a: - Es wird als konform mit den folgenden Normen erklärt: - Se declara que está en conformidad con: - Nous déclarons sa conformité à: - Hierbij wordt verklaard dat het product conform is met: - Declara-se que está em conformidade com: - Vi erklærer at produktet er i overensstemmelse med: - Vakuutetaan olevan yhdenmukainen: - Man erklærer at apparatet er i overensstemmelse med: - Härmed intygas det att produkten är förenlig med följande: - Oświadczam, że jest zgodny z: - Заявляем о соответствии требованиям: - Prohlašuje se, že je v souladu s: - Kijelentjük, hogy a termék megfelel az alábbiaknak: - Izpolnjuje zahteve: - Aşağıdaki standartlara uygun olduğunu beyan ederiz: - Izjavljuje se da je u skladu s: - Pareiškiame, kad atitinka: - Tiek deklarēts, ka atbilst: - Käesolevaga deklareeritakse, et toode vastab: - Declarăm că este conform următoarelor: - Prehlasuje sa, že je v súlade s: - Декларира се че отговаря на: - Відповідає вимогам: - Izjavljuje se da je u skladu s: - Δηλώνουμε ότι είναι σύμφωνο με: - 兹证明符合:

2014/30/EU, 2014/35/EU, 2011/65/EU

**EN 60335-1:2012+A11:2014+A13:2017,
EN 60335-2-40:2003+A11:2004+A12:2005+A1:2006+A2:2009+A13:2012,
EN 55014-1:2017, EN 55014-2:2015,
EN 61000-3-2:2014, EN 61000-3-3:2013, EN 62233:2008**

Stefano Verani (Member of the Board)

Gądkki, 27.07.2020

► en - DISPOSAL OF THE PRODUCT

-This product has been designed and manufactured with top-quality materials and components, which can be re-cycled and re-used.

-When a crossed-wheely bin symbol is attached to the product, it means that the product is protected by the, 2012/19/UE European Directive.

-Please obtain information regarding the local differentiated collection system for electrical and electronic products.

-Respect local Standards in force and do not dispose of old products as normal domestic waste. Correct disposal of the product helps to prevent possible negative consequences for health, the environment and mankind.

► it - SMALTIMENTO DEL PRODOTTO

-Questo prodotto è stato progettato e fabbricato con materiali e componenti di alta qualità, che possono essere riciclati e riutilizzati.

-Quando ad un prodotto è attaccato il simbolo del bidone con le ruote segnato da una croce, significa che il prodotto è tutelato dalla Direttiva Europea 2012/19/UE.

-Si prega di informarsi in merito al sistema locale di raccolta differenziata per i prodotti elettrici ed elettronici.

-Rispettare le norme locali in vigore e non smaltire i prodotti vecchi nei normali rifiuti domestici. Il corretto smaltimento del prodotto aiuta ad evitare possibili conseguenze negative per la salute dell'ambiente e dell'uomo.

► de - ENTSORGUNG DES PRODUKTS

-Dieses Produkt wurde unter Verwendung von Qualitätsmaterialien und -bauteilen entwickelt und hergestellt, die recycelt und wieder verwendet werden können.

-Ist ein Produkt gekennzeichnet durch die Mülltonne mit Rädern und einem Kreuz, wird hier angezeigt, dass dieses Produkt durch die europäische Richtlinie 2012/19/UE überwacht ist.

-Es wird gebeten, sich über die vor Ort bestehende Mülltrennung bezüglich elektrischer und elektronischer Produkte zu informieren.

-Die vor Ort geltenden Vorschriften zur Müllentsorgung müssen eingehalten werden und alte Produkte dürfen nicht zusammen mit dem Hausmüll entsorgt werden. Die ordnungsgemäße Entsorgung des Produkts hilft mögliche negative Folgen für Gesundheit und Umwelt zu vermeiden.

► es - ELIMINACIÓN DEL PRODUCTO

-Este producto ha sido diseñado y fabricado con materiales y componentes de alta calidad que se pueden reciclar y reutilizar.

-Cuando en el producto se encuentra el símbolo del contenedor con las ruedas tachado con una cruz, significa que el producto está tutelado por la Directiva europea 2012/19/UE.

-Se ruega informarse acerca del sistema local de recogida selectiva para los productos eléctricos y electrónicos.

-Respete las normas locales vigentes y no elimine los productos viejos junto con los residuos domésticos normales. La eliminación correcta del producto ayuda a evitar posibles consecuencias negativas para la salud del ambiente y del hombre.

► fr - SE DÉBARRASSER DE VOTRE PRODUIT USAGÉ

-Ce produit a été conçu et fabriqué avec des matériaux et des composants de haute qualité, qui peuvent être recyclés et utilisés de nouveau.

Lorsque le symbole d'une poubelle à roue barrée est appliqué à un produit, cela signifie que le produit est couvert par la Directive Européenne 2012/19/UE.

Veuillez vous informer du système local de séparation des déchets électriques et électroniques.

Veuillez agir selon les règles locale set ne pas jeter vos produits usagés avec les déchets domestiques usuels. Jeter correctement votre produit usagé aidera à prévenir les conséquences négatives potentielles contre l'environnement et la santé humaine.

► nl - VERWIJDERING VAN HET PRODUCT

-Dit product werd ontworpen en gemaakt met hoogwaardige materialen en componenten, die gerecycleerd en herbruikt kunnen worden.

-Wanneer op een product het symbool van de afvalbak op wielen met een kruis erdoor is aangebracht, betekent dit dat het product valt onder de Europese Richtlijn 2012/19/UE.

-Gelieve inlichtingen in te winnen betreffende het plaatselijke systeem voor gedifferentieerde inzameling van elektrische en elektronische toestellen.

-Respecteer de plaatselijke normen die van kracht zijn, en verwijder de oude toestellen niet als gewoon huishoudelijk afval. Een correcte verwijdering van het product helpt om mogelijke negatieve gevolgen voor de gezondheid van mens en milieu te voorkomen.

► pt - ELIMINAÇÃO DO PRODUTO

-Este produto foi projetado e fabricado com materiais e componentes de alta qualidade que podem ser reciclados e reutilizados.

-Quando for afixado em um produto o símbolo do bidão com rodas marcado com uma cruz, significa que o produto é protegido pela Diretiva Europeia 2012/19/UE.

-Solicitamos informar-se sobre o sistema local de recolha diferenciada para os produtos elétricos e eletrónicos.

-Respeitar as normas locais em vigor e não eliminar os produtos antigos como normais detritos domésticos. A correta eliminação do produto ajuda a evitar possíveis consequências negativas para a saúde do ambiente e do homem.

en

it

de

es

fr

nl

pt

da

fi

no

sv

pl

ru

cs

hu

sl

hr

lt

lv

et

ro

sk

bg

uk

zh

en ► da - BORTSKAFFELSE
- Dette produkt er designet og fremstillet med materialer og dele af høj kvalitet, der kan genanvendes.
it - Når et produkt er mærket med symbolet, der viser en affaldsspand på hjul med et kryds over, betyder det, at produktet er beskyttet af EF-Direktiv 2012/19/UE.
de - Der henstilles til, at man informerer sig angående det lokale affaldssorteringssystem for elektriske og elektroniske produkter.
- De gældende lokale regler skal overholdes, og de gamle produkter må ikke bortskaffes sammen med husholdningsaffaldet. Ved at bortskaffe dette produkt korrekt, medvirker De til at forhindre eventuelle negative påvirkninger af miljøet og folkesundheden.

es ► fi - TUOTTEEN HÄVITTÄMINEN
- Tämä tuote on suunniteltu ja valmistettu korkealaatuisia materiaaleja ja osia käyttämällä, jotka voidaan kierrättää ja käyttää uudelleen.
fr - Kun tuotteeseen on kiinnitetty viivattu roskasäiliön merkki, se tarkoittaa, että tuotetta suojaa Euroopan yhteisön direktiivi 2012/19/UE.
nl - Hanki tietoja paikallisesta sähkö- ja elektroniikkaromujen erilliskeräyksestä.
pt - Noudata voimassa oleva määräyksiä äläkä hävitä vanhoja tuotteita kotitalousjätteiden mukana. Tuotteen oikea hävittäminen auttaa suojelemaan luontoa ja välttää väärän romutuksen aiheuttamien terveystarkien syntymistä.

da ► no - AVFALLSHÅNDTERING
- Dette produktet er utformet og produsert med materialer og deler av høy kvalitet, og som kan gjenvinnes.
fi - Når det på et produkt finnes et symbol som forestiller en avfallsbeholder med et kryss over, betyr dette at produktet er underlagt EU-direktiv 2012/19/UE.
no - Vennligst informer dere angående de lokale reglene som gjelder kassering av elektrisk og elektronisk avfall.
- Ta hensyn til gjeldende regelverk og ikke kast gamle produkter sammen med husholdningsavfall. Riktig avfallshåndtering av produktet bidrar til å unngå potensielle negative konsekvenser for miljøet og menneskenes helse.

sv ► sv - PRODUKTENS BORTSKAFFANDE
- Den här produkten har projekterats och tillverkats med material och komponenter av hög kvalitet som kan återvinnas och återanvändas.
pl - När ett klistermärke med en symbol med överkorsad soptunna med hjul sitter på produkten, betyder detta att produkten är skyddad av EU-direktiv 2012/19/UE.
ru - Vi ber er inhämta upplysningar vid er lokala återvinningsstation för elektriska och elektroniska produkter.
cs - Följ lokala gällande bestämmelser och skaffa inte bort förbrukade produkter i det vanliga hushållsavfallet. Ett korrekt bortskaffande av produkten hjälper till att undvika möjliga negativa effekter på miljö- och människohälsa.

hu **PL - Usuwanie starego produktu**
- Niniejszy produkt został wyprodukowany z najwyższej jakości materiałów, które mogą być poddane recyklingowi i zostać ponownie użyte.
sl - Symbol prekręšlonego kosza na śmieci umieszczany na sprzęcie, opakowaniu lub dokumentach do niego dołączonych oznacza, że produktowi nie wolno wyrzucać łącznie z innymi odpadami. Obowiązkiem użytkownika jest przekazanie zużytego sprzętu do wyznaczonego punktu zbiórki w celu właściwego jego przetworzenia. Oznakowanie oznacza jednocześnie, że sprzęt został wprowadzony do obrotu po dniu 13 sierpnia 2005 r.
hr - Należy zapoznać się z lokalnym systemem zbiórki produktów elektronicznych i elektrycznych.
lt - Informacje o dostępnym systemie zbierania zużytego sprzętu elektrycznego można znaleźć w punkcie informacyjnym sklepu oraz w urzędzie miasta/gminy.
lv - Odpowiednie postępowanie ze zużytym sprzętem zapobiega negatywnym konsekwencjom dla środowiska i ludzkiego zdrowia!

et ► ru - УТИЛИЗАЦИЯ ПРОДУКТА
ro - Данный продукт был произведен из наивысшего качества материалов, которые могут быть подданы рециклингу и повторно использованы.
sk - Символ зачеркнутой мусорной корзины, размещенный на продукте, обозначает, что этот продукт защищен Директивой Европейского Союза 2012/19/UE.
bg - Следует ознакомиться с локальной системой сбора электронных и электрических продуктов.
- Старые продукты должны быть утилизированы в соответствии с действующими нормами. Соответствующая утилизация электрических и электронных приборов предотвращает последствия, негативно влияющие на здоровье, окружающую среду и все человечество.

uk ► cs - LIKVIDACE VÝROBKU
zh - Tento výrobek byl navržen a vyroben z vysoce kvalitních materiálů a komponentů, které lze recyklovat a znovu použít.
- Je-li na výrobku symbol přeškrtnutého kontejneru, znamená to, že na výrobek se vztahuje Evropská Směrnice 2012/19/UE.
- Informujte se o místním systému pro oddělený sběr elektrických a elektronických výrobků.
- Dodržujte místní předpisy a nelikvidujte staré produkty spolu s běžným komunálním odpadem. Správná likvidace výrobku pomůže předcházet možným negativním dopadům na životní prostředí a lidské zdraví.
hu - HULLADÉKBA HELYEZÉS
- A termék kiváló minőségű újrahasznosítható és újból felhasználható alkotóelemek felhasználásával készült.
- Ha terméken elhelyezésre került az áthúzott hulladékgyűjtő ábrázoló jel, az azt jelenti, hogy a termékre a 2012/19/UE irányelv vonatkozik.

-Kérjük, tájékozódjon az elektromos és elektronikus hulladékok szelektív gyűjtéséről.

-Tartsa be a helyben hatályos előírásokat, és ne a terméket ne helyezze a háztartási hulladékgyűjtőbe. A megfelelő hulladékgyűjtéssel elkerülhető, hogy a hulladékok károsítsák a környezetet ill. az emberi egészséget.

► sl - ODLAGANJE IZDELKA

-Ta izdelek je bil zasnovan in izdelan iz materialov in komponent visoke kakovosti, ki jih je mogoče reciklirati in ponovno uporabiti.
-Ko je izdelek označen z znamenjem prekrizanega smetnjaka na kolesih, pomeni, da zanj veljajo določbe evropske Direktive 2012/19/UE.

-Pozanimajte se o načinu ločenega zbiranja električne in elektronske opreme, ki velja v vašem kraju.

-Upoštevajte veljavne predpise in odsluženih izdelkov ne odlagajte med gospodinjske odpadke. Pravilno odlaganje izdelka prispeva k izogibanju morebitnim negativnim posledicam za zdravje okolja in ljudi.

► tr - ÜRÜNÜN İMHA EDİLMESİ

-Bu ürün, geri dönüştürülüp tekrar kullanılabilir, yüksek kaliteli malzeme ve bileşenler kullanılarak tasarlanıp üretilmiştir.

-Herhangi bir üründe, üzerinde çarpı işareti bulunan tekerlekli bidon bulunuyorsa bu, ürünün 2012/19/UE Avrupa Direktifi tarafından korunduğunu belirtir.

-Lütfen bulunduğunuz bölgedeki elektrikli ve elektronik aletler için olan çöp ayrıştırma sistemi ile ilgili bilgi edininiz.

-Konuyla ilgili yerel düzenlemelere uyunuz ve eski ürünleri normal evsel atıklarla beraber atmayınız. Ürünün doğru şekilde imha edilmesi, çevre ve insan sağlığını tehdit edici olumsuz sonuçların önlenmesine yardımcı olur.

► hr - ODBACIVANJE PROIZVODA

-Ovaj je proizvod osmišljen i izrađen s visokokvalitetnim materijalima i komponentama koje se mogu reciklirati i ponovno iskoristiti.

-Kada se na proizvod stavi simbol prekrizane kante na kotačima, to znači da je on podvrgnut Europskoj Smjernici 2012/19/UE.

-Informirajte se u svezi s lokalnim načinom diferencijalnog sakupljanja električnih i elektronskih proizvoda.

-Poštujte lokalne propise na snazi i ne odbacujte stare proizvode zajedno sa običnim kućnim otpadom. Pravilnim odbacivanjem proizvoda spriječit ćete moguće negativne posljedice za okoliš i za zdravlje ljudi.

► lt - GAMINIO SUNAIKINIMAS

-Šis gaminys buvo sukurtas ir pagamintas iš aukštos kokybės medžiagų bei dalių, kurios gali būti perdirbtos arba panaudotos dar kartą.

-Kai gaminys yra pažymėtas perbraukto atliekų konteinerio su ratukais ženklu, tai reiškia, kad gaminys yra saugomas pagal ES direktyvą 2012/19/UE.

-Prašome pasidomėti apie vietinę elektros ir elektronikos atliekų rūšiavimo sistemą.

-Laikykitės vietinių galiojančių taisyklių ir nemeskite senų gaminių su įprastomis buitinėmis atliekomis. Tinkamai sunaikinę gaminių išvengsite galimų neigiamų pasekmių aplinkai ir žmonių sveikatai.

► lv - PRODUKTA IZNĪCINĀŠANA

-Šis produkts tika izveidots un ražots ar augstas kvalitātes materiāliem un sastāvdaļām, kas var būt savāktas un atkārtoti izmantotas.

-Kad pie produkta ir piestiprināts atkritumu tvertnes simbols ar riteņiem, kas ir pārsvītrots ar krustu, tas nozīmē, ka produktu aizstāv Eiropas Direktīva 2012/19/UE.

-Lūdzam Jūs gūt informāciju par vietēju centru, kas savāc elektriskās un elektroniskā ierīces.

-Ievērot vietējās pastāvošās normas un neiznīcināt vecus produktus, kā parastus mājas atkritumus. Produkta pareizā iznīcināšana palīdz izvairīties no iespējamām negatīvām sekām vides un cilvēku veselībai.

► et - TOOTE KASUTUSEST KÕRVALDAMINE

-See toode on projekteeritud ja toodetud kvaliteetsetest materjalidest ja osadest, mida võib uuesti ringlusse võtta ja korduskasutada.

-Kui tootel on märk, millel on ratastega prügikast, millele on rist peale tõmmatud, tähendab see, et toodet kaitseb Euroopa direktiiv 2012/19/UE.

-Palun tutvuge kohaliku elektri- ja elektroonikatoodete lahuskogumise süsteemiga.

-Täitke kehtivaid kohalikke õigusnorme ning ärge visake vana toodet olmejäätmete hulka. Toote õige kõrvaldamine aitab vältida võimalikke negatiivseid tagajärgi keskkonna ja inimeste tervisele.

► ro - SCOATEREA DEFINITIVĂ DIN UZ A PRODUSULUI

-Acest produs a fost proiectat și fabricat cu materiale și componente de înaltă calitate care pot fi reciclate și refolosite.

-Când pe produs este aplicat simbolul unei pubele cu roți, marcată cu o cruce, înseamnă că produsul respectiv este conform Directivei Europene 2012/19/UE.

-Vă rugăm să vă informați în ceea ce privește colectarea separată a produselor electrice și electronice.

en
it
de
es
fr
nl
pt
da
fi
no
sv
pl
ru
cs
hu
sl
hr
lt
lv
et
ro
sk
bg
uk
zh

en -Respectați normele locale în vigoare și nu depozitați produsele vechi împreună cu deșeurile menajere. Eliminarea corectă a produsului ajută la eliminarea consecințelor negative pe care acesta le poate avea asupra mediului înconjurător și a persoanelor.

it

► sk - LIKVIDÁCIA VÝROBKU

de -Tento výrobek byl navrhnutý a vyrobený z vysoko kvalitních materiálů a komponentů, které je možné recyklovat a znovu použít.

es -Ak je na výrobku symbol přečiarknutého kontajnera, znamená to, že na výrobek sa vzťahuje Európska Smernica 2012/19/UE. Informujte sa o miestnom systéme pre oddelený zber elektrických a elektronických výrobkov.

fr -Dodržujte místní předpisy a nelikvidujte staré produkty spolu s běžným komunálním odpadem. Správná likvidace výrobku pomůže předcházet možným negativním dopadům na životné prostředí a lidské zdraví.

nl ► bg - ИЗХВЪРЛЯНЕ НА УРЕДА

pt -Това изделие е проектирано и произведено с материали и компоненти от високо качество, които могат да се рециклират или използват повторно.

da -Kogato na njakoe izdelie e postaven simbol s biddon na kolelca, markiran s hixk, tova oznacava, ce izdelieto e zashtiteno sьglasno Evropejska Direktiva 2012/19/UE.

fi -Моля да се информирате относно местната система за разделно изхвърляне на електрически и електронни изделия. Спазвайте действащите местни нормативи и не изхвърляйте изделията, заедно с нормалните домакински отпадъци.

no Правилното изхвърляне на изделията, помага за избягване на възможни отрицателни последици, за здравето на хората и за опазване на околната среда.

sv ► uk - УТИЛІЗАЦІЯ ВИРОБУ

pl -Цей виріб був спроектований і вироблений з використанням високоякісних матеріалів і комплектуючих, які можуть бути повторно перероблені і використані.

ru -Якщо на виріб нанесено символ перекресленого бака з колесами для сміття, це означає, що виріб відповідає Директиві Європейського Союзу 2012/19/UE.

cs -Просимо ознайомитися з інформацією щодо місцевої системи роздільного збору сміття для електричного і електронного обладнання.

hu -Дотримуйтесь чинних місцевих правил і не викидайте старі вироби до звичайних побутових відходів. Правильна утилізація виробу допомагає уникнути можливих негативних наслідків для довкілля і здоров'я людей.

sl ► bs - ODLAGANJE PROIZVODA

hr -Ovaj je proizvod dizajniran i proizveden korištenjem materijala i komponenata visoke kvalitete koji se mogu reciklirati i ponovo koristiti.

lt -Kada se na ovaj proizvod postavi simbol prekižene kante /obilježene krstom na točkovima, to znači da je proizvod podložan Evropskoj Direktivi 2012/19/UE.

lv -Molimo Vas da se informirate o lokalnom sistemu diferencijalnog sakupljanja električnih i elektronskih proizvoda. Poštujte lokalne propise na snazi i ne odbacujte stare proizvode u obični kućanski otpad. Pravilno odlaganje proizvoda pomaže i onemogućuje negativne posljedice za zdravlje ljudi i okoliša

et ► el - ΔΙΑΘΕΣΗ ΤΟΥ ΠΡΟΪΟΝΤΟΣ

ro -Το προϊόν αυτό σχεδιάστηκε και κατασκευάστηκε με υλικά και εξαρτήματα υψηλής ποιότητας, τα οποία μπορούν να ανακυκλωθούν και να ξαναχρησιμοποιηθούν.

sk -Όταν ένα προϊόν είναι συνδεδεμένο με το σύμβολο του διαγεγραμμένου τροχοφόρου σημειωμένο με ένα σταυρό, σημαίνει ότι το προϊόν καλύπτεται από την Ευρωπαϊκή Οδηγία 2012/19/UE.

bg -Σας συνιστούμε να ενημερωθείτε σχετικά με το τοπικό σύστημα συλλογής για την ανακύκλωση ηλεκτρικών και ηλεκτρονικών προϊόντων.

uk -Тримайте ці місцеві правила, які діють, і не викидайте старі вироби до побутових відходів. Правильна утилізація виробу допомагає уникнути можливих негативних наслідків для довкілля і здоров'я людей.

zh

NOTE:

en

it

de

es

fr

nl

pt

da

fi

no

sv

pl

ru

cs

hu

sl

hr

lt

lv

et

ro

sk

bg

uk

zh

en NOTE:

it

de

es

fr

nl

pt

da

fi

no

sv

pl

ru

cs

hu

sl

hr

lt

lv

et

ro

sk

bg

uk

zh